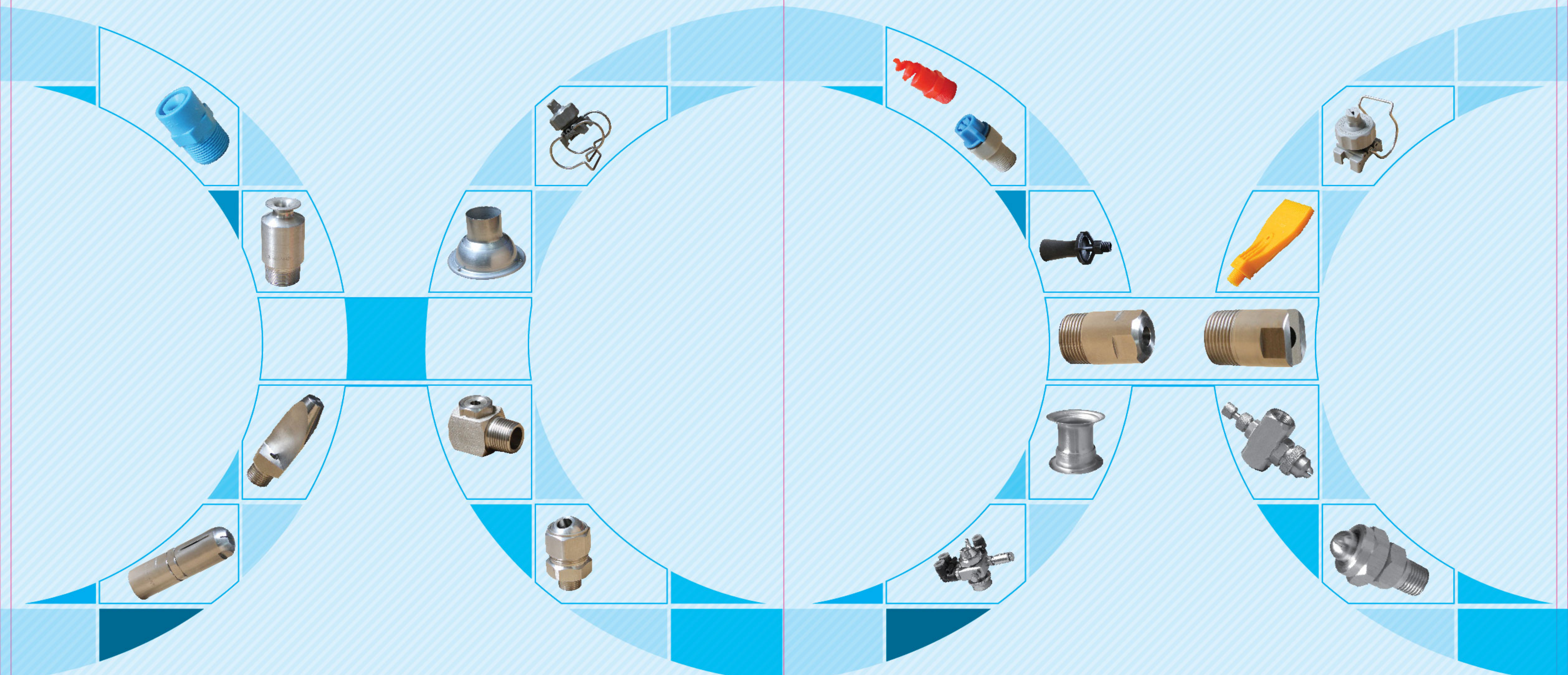




SHANGHAI XINHOU  
SPRAYING&PURIFICATION EQUIPMENT  
上海鑫厚喷雾净化设备有限公司



上海鑫厚喷雾净化设备有限公司

SHANGHAI XINHOU SPRAYING&PURIFICATION EQUIPMENT CO.,LTD

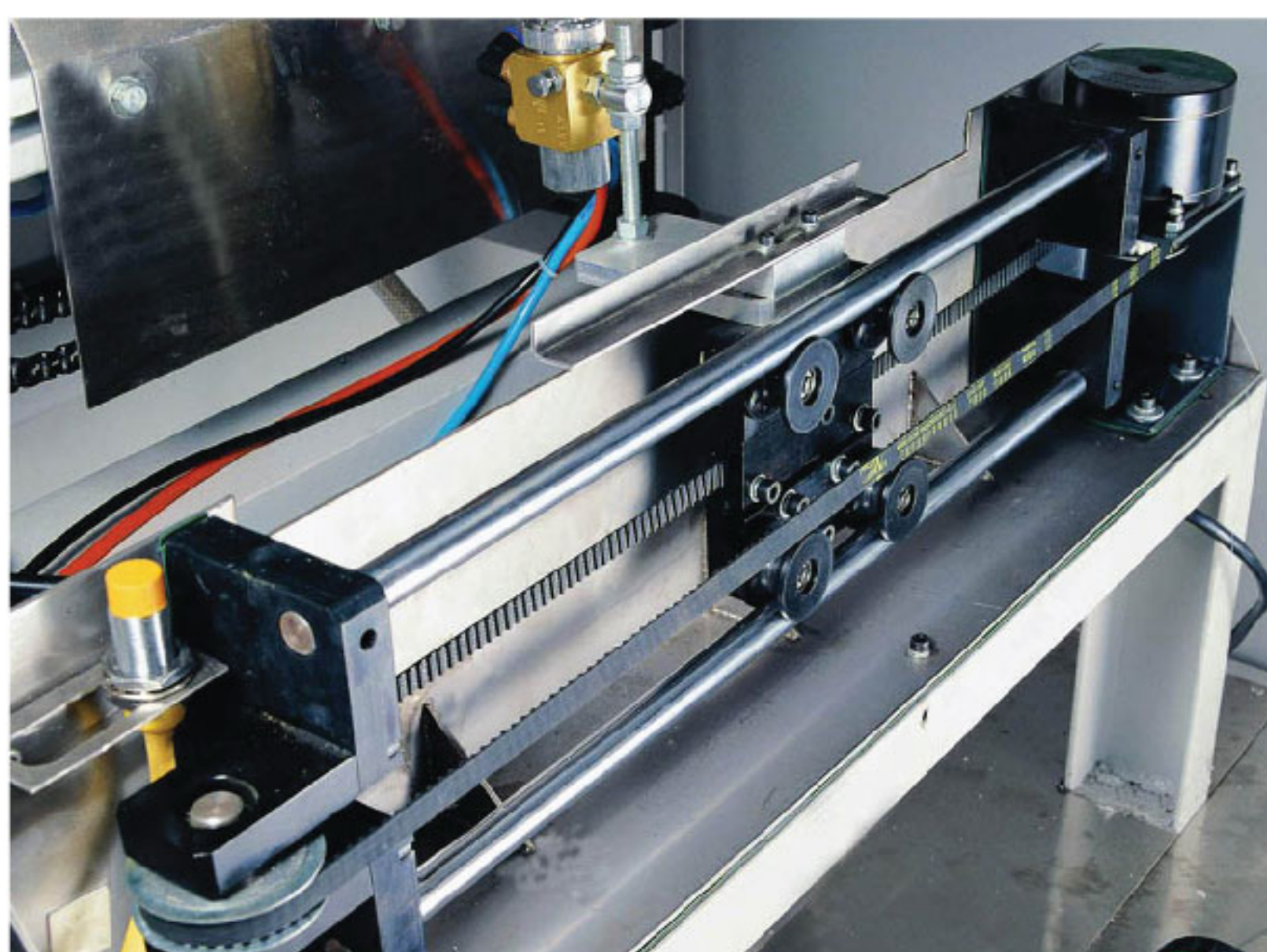
电话 | Tel: 021-52043386 39281563 传真 | Fax: 021-52240275

邮箱 | E-mail: xinhouco@163.com 网址 | Web: www.shxinhou.com

www.shxinhou.com

|  |    |
|--|----|
| 公司简介                                   | 01 |
| Company introduction                   |    |
| 部分案例                                   | 03 |
| Part of our cases                      |    |
| 喷嘴典型应用                                 | 04 |
| Nozzle's typical application           |    |
| 品质保证系统                                 | 05 |
| Quality assurance system               |    |
| 应用范围                                   | 06 |
| Nozzle's application range             |    |
| 喷嘴的使用常识                                | 08 |
| Nozzle's technical tips                |    |
| 夹扣喷嘴                                   | 11 |
| Clip-eyelet nozzle                     |    |
| 混流喷嘴                                   | 13 |
| Mixing eductor nozzle                  |    |
| 吹风喷嘴                                   | 14 |
| Windjet nozzle                         |    |
| 螺旋喷嘴                                   | 15 |
| Spiral nozzle                          |    |
| 快拆喷嘴                                   | 16 |
| Quick-connect nozzle                   |    |
| 一体式喷嘴                                  | 18 |
| One-piece nozzle                       |    |
| 强冷 / 强热风喷嘴                             | 20 |
| Strong cold/hot air shower nozzle      |    |
| 实心锥形喷嘴 - 圆形喷雾                          | 22 |
| Full cone nozzle-Round spray           |    |
| 实心锥形喷嘴 - 方形喷雾                          | 24 |
| Full cone nozzle-Square spray          |    |
| 实心锥形喷嘴 - 窄角 15° 系列                     | 26 |
| Full cone nozzle-narrow angle15°Series |    |
| 实心锥形喷嘴 - 窄角 30° 系列                     | 27 |
| Full cone nozzle-narrow angle30°Series |    |
| SMP 实心圆锥形喷嘴                            | 28 |
| SMP full cone nozzle                   |    |
| 实心锥形喷嘴 - 转角型                           | 31 |
| Full cone nozzle-Turn angle type       |    |
| 空心锥形喷嘴 - 转角型                           | 33 |
| Hollow cone nozzle-Turn angle type     |    |
| 直线型空心锥形喷嘴                              | 35 |
| Linear type hollow cone nozzle         |    |

|   |    |
|---|----|
| 扇形喷嘴  | 37 |
| Flat fan nozzle                                     |    |
| 三件套组合扇形喷嘴   | 41 |
| Three-piece combined flat fan nozzle                |    |
| 空气雾化喷嘴  | 44 |
| Air atomizing nozzle                                |    |
| 压力式空气雾化喷嘴 - 扇形喷雾                                    | 46 |
| Pressure air atomizing nozzle-Fan spray             |    |
| 压力式空气雾化喷嘴 - 圆形喷雾                                    | 47 |
| Pressure air atomizing nozzle-Round spray           |    |
| 压力式空气雾化喷嘴 - 广角圆形喷雾                                  | 48 |
| Pressure air atomizing Wide angle round spray       |    |
| 扇形压力式空气雾化 - 外部混合                                    | 49 |
| Fan shape pressure air atomizing nozzle-Extetal mix |    |
| 虹吸式空气雾化喷嘴   | 51 |
| Syphon air atomizing nozzle                         |    |
| DK 精细雾化喷嘴   | 52 |
| DK super-fine air atomizing nozzle                  |    |
| AA 精细雾化喷嘴   | 53 |
| AA super-fine air atomizing nozzle                  |    |
| 超声波空气雾化喷嘴   | 54 |
| Ultrasonic air atomizing nozzle                     |    |
| 空气吹气扇形喷嘴  | 55 |
| Air blowing flat fan nozzle                         |    |
| V 型窄角喷嘴   | 56 |
| V type narrow type nozzle                           |    |
| 瓶罐清洗喷嘴  | 57 |
| Tank or bottle washing nozzle                       |    |
| 高压针形喷嘴  | 60 |
| High pressure needle nozzle                         |    |
| 薄片高压针形喷嘴  | 62 |
| Flake high pressure needle nozzle                   |    |
| 薄片高压扇形喷嘴  | 63 |
| Flake high pressure fan nozzle                      |    |
| 薄片低压扇形喷嘴  | 64 |
| Flake low pressure fan nozzle                       |    |
| 拼合连接孔   | 66 |
| Nozzle fittings                                     |    |
| Y 型液体过滤器  | 67 |
| Y type liquid filter                                |    |
| 滤芯  | 68 |
| Filter cartridge                                    |    |



## 公司简介 Company Introduction

上海鑫厚喷雾净化设备有限公司成立于2004年，是专业生产工业用喷嘴的工厂。经过多年的努力发展，我们的人员已具有丰富的喷嘴应用知识和经验，能为你提供可靠的技术支持。在品质管控方面，我们严格按照ISO9001:2000质量管理体系的标准进行管理。无论是标准喷嘴，还是非标喷嘴，我们都会以专业的技能为您提供性价比最高的产品及优质的服务。

### 我们的产品 ----- 工业喷嘴

产品按不同性质分类如下：

- 1, 按材质分类：金属喷嘴，塑胶喷嘴。
- 2, 按结构性能分类：可调球形喷嘴；吹风喷嘴；螺旋喷嘴；快拆喷嘴；混流 / 搅拌喷嘴；精细雾化喷嘴；空气雾化喷嘴；一体式喷嘴

按喷雾形状分类：扇形喷嘴；实心锥形喷嘴；空心锥形喷嘴；液柱流喷嘴。

按用途分类：清洗喷嘴；清洗瓶罐喷嘴；加湿喷嘴；除尘喷嘴；喷雾干燥喷嘴；喷涂喷嘴；强冷，强热喷嘴。

产品使用范围：产品可适用于涂装，电子，汽车，食品，钢铁，化工，造纸，纺织，环保等行业。

**我们的宗旨** --- “品质是我们生存的命脉，诚信是我们发展的根本” 长久以来我们一直恪守这个宗旨，以客户价值为目标，努力为客户提供最具性价比的产品，以真诚服务于客户，依靠我们的技术和产品，帮助中国企业提高资源的利用率，降低能源消耗，为广大客户创造价值。

**我们的品质及价格**——我们以质量为公司赖以生存的命脉，从采购到生产及至成品检验，都严格按ISO9001:2000标准进行。产品的品质在国内同行业领先，性价比高，数以千计的客户可以为我们作证！

**我们的承诺**——我们坚持，对品质的要求永远放在第一位。不会一味的追求低价格，而舍弃一贯的品质要求。品质永远是我们的保证；我们坚持，在同等的价位上，努力提升产品的质量；我们坚持，在同等的质量上，提供最实在的价格。

Shanghai Xinhou Spraying & Purification Equipment Co., Limited is a factory established in 2004 and engaged in industrial nozzle for many years. Our people have rich knowledge and experience, which can provide you reliable technical support. In the aspect of quality control, we strictly carry out standard according to ISO9001:2000. No matter standard or non-standard products, we can supply to you demanded products with excellent quality and reasonable price and satisfied service.

### Our products --- Industrial nozzle

Nozzles are classified according to the following characters

According to material: Metal nozzle; Plastic nozzle.

According to structure: Adjustable ball nozzle; Air blowing nozzle; Spiral nozzle; Quick release nozzle; Mixing eductor nozzle; Fine atomizing nozzle; One-piece nozzle.

3, According to shape of spray: Fan nozzle; Full cone nozzle; Hollow cone nozzle; Liquid column nozzle.

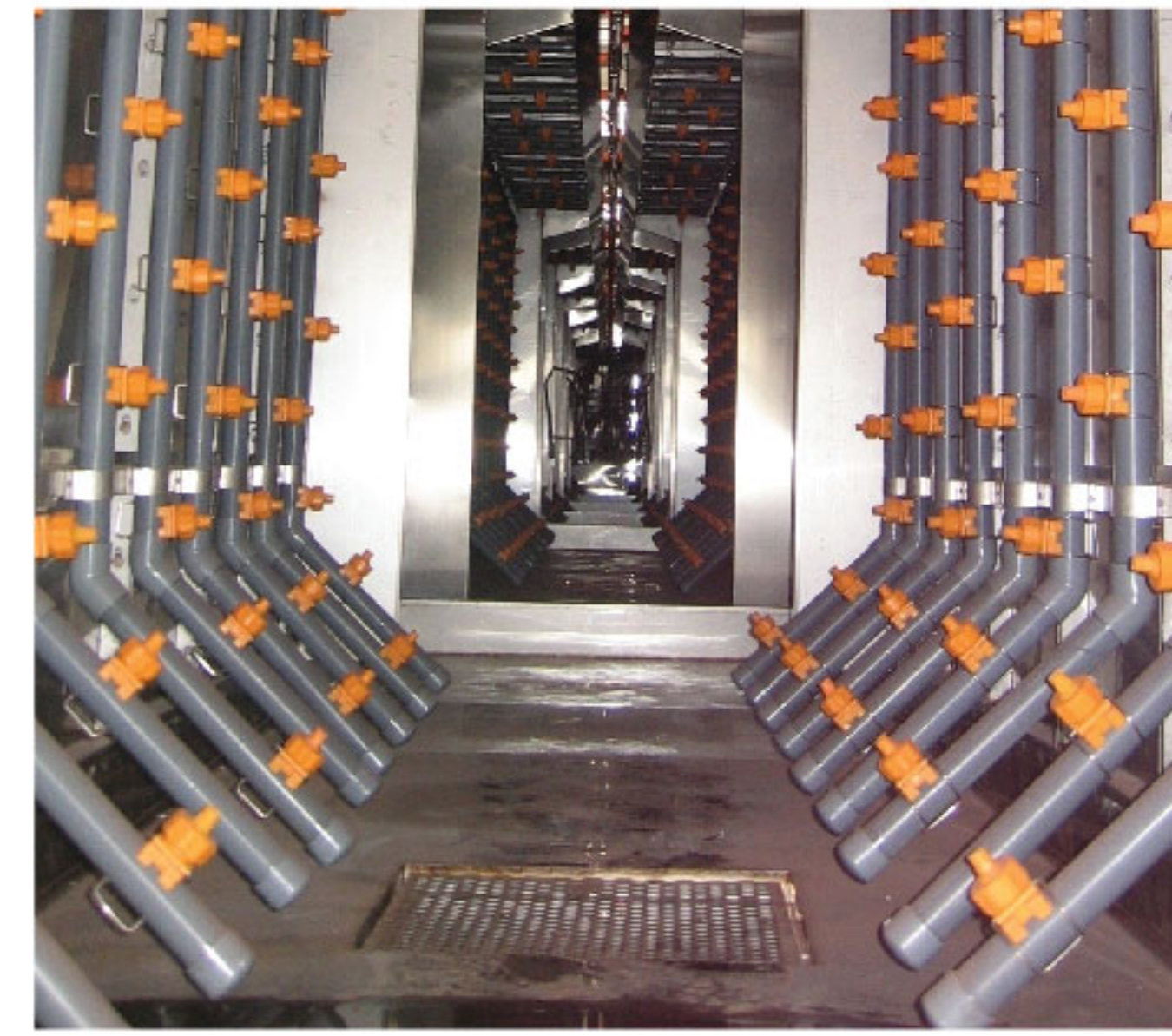
4, According to purpose: Cleaning nozzle; Humidification nozzle; Dedusting nozzle; Spray drying nozzle; Spray coating nozzle; Strong cold air shower nozzle; strong hot air shower nozzle.

5, Application range: Coating; Electronics; Motor vehicle (Car); Food; Steel; Chemical industry; Paper making; Environmental protection.

**Our Belief** --- “Quality is our lifeblood to survive, Credit is our root to develop”, We have always kept to this belief since the start, trying to provide the products to customers which has advantage in quality and price. We have been doing our best to improve the resource-use ratio, so as to create more value for more enterprises.

**Our quality**——We count quality as the lifeblood of company. We carry out every step strictly according to the ISO9001:2000 standard, such as purchasing the raw material, producing and inspecting products. We have priority in quality in this industry within China, and also Cost Effective Price. The positive word of mouth from many of our customers is the best provement for us.

**Our Commitment**——We insist quality products. We always put quality at first place. We will never chase cheap material for cheaper price. Quality is our guarantee for survival; We insist trying to improve the quality at same level of price; We insist to provide the most reasonable price at same quality level.



喷淋室  
Spraying room



强冷室  
Strong cold room



喷雾加湿  
Spraying humidification



淋雨室  
Raining room

流程示意图 Flow Chart



质量方针 Quality Policy

用质量信誉去开拓市场, 按国内一流的标准组织生产。用品种去满足顾客需求, 加强产品开发设计的质量控制。用持续改进去促进发展, 提升顾客满意度。

上述质量方针可以简化为: 质量抢市场、品种争顾客、持续改进求发展。

为了实施质量方针, 应采取如下措施:

组织员工学习、讨论, 务必使全体员工, 特别是负有职责的管理人员充分理解, 并将本质量方针张贴在醒目易见的地方, 随时供全体员工学习理解。

根据本质量方针制定质量目标, 并将质量目标分解至部门质量目标, 实施质量目标管理。

本公司的总体质量目标是: 客户满意度 ≥ 95%, 成品合格率: ≥ 99%, 客户投诉率: ≤ 1%

本公司的文件, 过程、程序、产品等凡与本质量方针政策不相符的, 一律按本质量方针规定的原则进行修正处理, 任何人, 包括总经理都不得违背本质量方针政策规定的原则。

Open up market with quality and credit. Produce products according to first class standard organization in domestic. Meet clients' needs with variety, improve quality control to product development and design.

Develop by the way of sustaining improvement, bring up great satisfaction to all our clients.

For abbreviation: Quality, winning market, variety attracting customers, and sustaining improvement promoting development.

To carry out our quality policy, we take measures as following.

Organize the staff to study and make discussions about our quality policy and assure that all the staff especially those managers understand completely.

Place the quality policy in public for any time study, establish quality goals according to the quality policy and pass it to every department for quality target management.

Our overall goals: clients satisfaction ≥ 95%; Finished product percent of pass ≥ 99%; Clients' complaint ≤ 1%.

Any document, process, program, product etc, violated this quality policy shall be corrected according to principles in it.

Any one shall not violate this quality policy.

喷嘴的应用范围 Nozzle's Application

鑫厚公司的喷嘴应用范围广泛, 深入到工业应用的各个领域, 产品已覆盖表面处理, 电子、纺织、钢铁、制药等行业。越来越多的应用范围表明, 鑫厚公司的影响力正进一步扩大。

Xinhou nozzles are widely used in all kinds of fields in industry. Products cover industries like surface treatment, Electronics, textile steel, pharmacy etc. More and more application range manifests that Xinhou nozzle's influence is extending.

清洗 Cleaning

- 清洗汽车  
Car washing
- 清洗筛网上的砂石  
Cleaning gravel on the screen
- 清洗罐槽及容器内壁  
Inner tank cleaning
- 清洗电子线路板  
Power PCB cleaning
- 清洗食品加工厂中的消毒卫生设备  
Disinfection equipment cleaning in food factory
- 清洗造纸厂毛毯和网布  
Blanket and mesh cleaning in paper mill
- 食品加工厂的瓶盖清洗  
Bottle washing in food factory
- 高压清洗  
High pressure washing
- 玻璃清洗  
Glass washing
- 清洗工业设备  
Industrial equipment washing
- 金属表面的前处理  
Pretreatment for metal surface
- 瓶罐清洗  
Tank cleaning

喷涂 Coating

- 药片涂层  
Medicine coating
- 无气喷涂或喷漆  
Airless spraying
- 喷涂防锈剂  
Rust preventive spraying
- 食品上喷涂添加剂和调味品  
Additive and flavor spraying on food
- 模具上喷涂脱模剂  
mould release agent spraying
- 瓷砖和彩瓦上釉  
Porcelain tile and color tile glazing
- 磷化金属部件  
Metal parts phosphating
- 金属表面涂层  
Metal surface coating

冷却 Cooling

- 钢铁中连铸二次冷却  
Steel secondary casting cooling
- 钢铁中轧辊冷却  
Roll cooling for steel-making
- 输送带冷却  
Conveyer belt cooling
- 冷却塔  
Cooling tower
- 热处理后淬火  
Quenching after heat treatment
- PVC管挤压冷却  
PVC pipe extrusion cooling
- 铸压模冷却  
Die casting cooling
- 烟气冷却  
Gas cooling
- 铝型材冷却  
Aluminum profile cooling
- 冷却池喷水热交换  
Spraying in cooling pond for interchange of heat

### 粉尘控制 Dust control

- 煤和沙土运送中进行扬尘控制

Dust control in coal and sand convey

- 洗涤塔中去除灰尘

Dust remove in washing tower

- 卸料车的灰尘抑制

Dust control of throw-off carriage

- 马路清扫机械

Dust control for road cleaning machine

- 木屑运送过程中的压灰

Dust control in wood flour transport

- 水泥厂转运点压灰

Dust control at cement transshipment point

### 气体调节 Gas adjustment

- 空气调节系统里空气清洗

Air washing in air adjustment system

- 离心式湿式收集器

Centrifugal wet-type collector

- 洗涤喷漆室空气

Air washing in spray room

- 喷射氨水以消除氧化氮

Remove nitric oxide by spraying ammonia water

- 反应堆洗系统

Washing system for reactor

- 管道的气体洗涤

Gas washing for pipe

- 空间加湿消除静电

Space humidification to remove static

- 石灰浆喷射脱硫

Spraying lime slurry for desulfuration

### 打标 Marking

- 无纺产品的缺陷标记

Non-woven products defect marking

- 建材的划线标记

Building materials marking-out

- 产品的标识喷涂

Product identify spraying

- 条形码喷涂

Bar code spraying

### 润滑 Lubriaction

- 齿轮润滑

Gear lubrication

- 压膜润滑

Pressed film lubrication

- 液压机加油

Hydraulic machine refuel

- 润滑刀片和弹簧

Lubricating blade and spring

- 输送带和传动链润滑

Conveyer belt and transmission chain lubrication

- 喷涂脱模剂

Mould release agent spraying

- 钢缆润滑

Wirerope lubrication

- 轴和轴承润滑

Axle and bearing lubrication

### 喷嘴的材质选择 Choice Of Material For Nozzle

在各类型喷嘴中,鑫厚公司均注明材质的选择,一般工程聚丙烯使用PP代号,不锈钢使用SS代号,黄铜使用BRASS代号,详细表格如下:

For all kinds of nozzles,Xinhou marks out the material,general engineering polypropylene use PP for code,SS for stainless steel,BRASS for brass, the details are as follows.

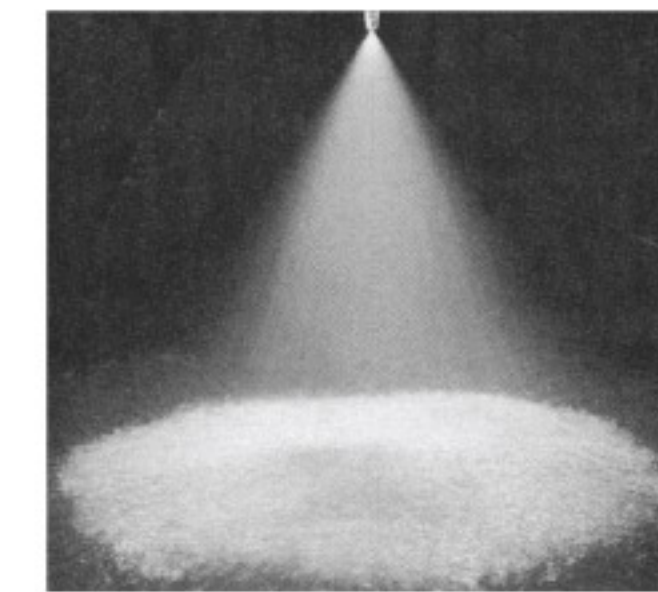
|                |                                    |          |
|----------------|------------------------------------|----------|
| 塑胶类<br>Plastic | 硬质聚氯乙烯 Hard PVF                    | PVC      |
|                | 加纤聚丙烯 Fiber Polypropylene          | PP       |
|                | 不加纤聚丙烯 Polypropylene without fiber | PPO      |
|                | ABS材质 ABS Material                 | ABS      |
|                | 聚偏二氯乙烯 PVDF                        | PVDF     |
|                | 聚硫化苯烯 PPS                          | PPS      |
|                | 聚四氟乙烯 Polytel                      | PTFE     |
|                | 环氧树脂 Epoxy resin                   | ARALDITE |
|                | 强化玻璃纤维 Toughered Fiberglass        | FRP      |

|                          |                          |        |
|--------------------------|--------------------------|--------|
| 金属<br>Metal              | 黄铜 BRASS                 | BRASS  |
|                          | 303 不锈钢 Stainless steel  | 303SS  |
|                          | 304 不锈钢 Stainless steel  | 304SS  |
|                          | 316 不锈钢 Stainless steel  | 316SS  |
|                          | 316L 不锈钢 Stainless steel | 316LSS |
|                          | 金属钛 Metallic titanium    | TN     |
|                          | 硬质合金 Hard alloy          | CCA    |
|                          | 铝合金 Aluminium alloy      | ALMA   |
| 特殊材料<br>Special material | 蓝宝石 Sapphire             | SAS    |
|                          | 红宝石 Ruby                 | RUS    |
|                          | 石墨 Graphite              | GRS    |
|                          | 陶瓷 Ceramics              | SIS    |

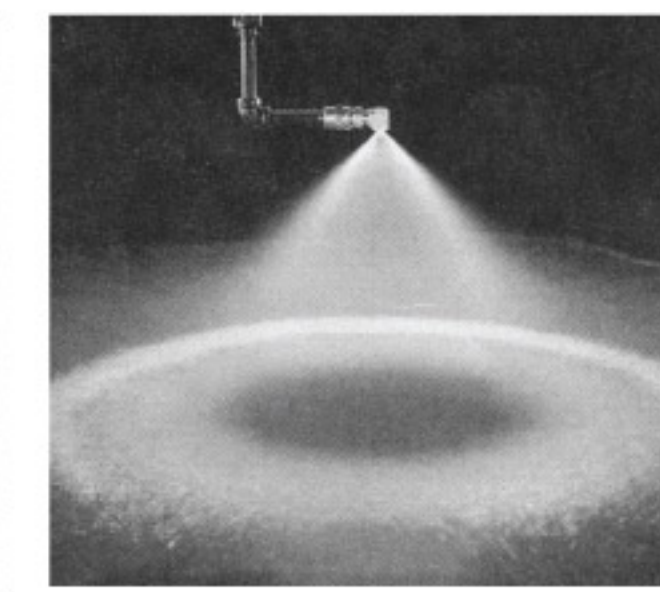
### 喷嘴的应用范围 Nozzle's Application



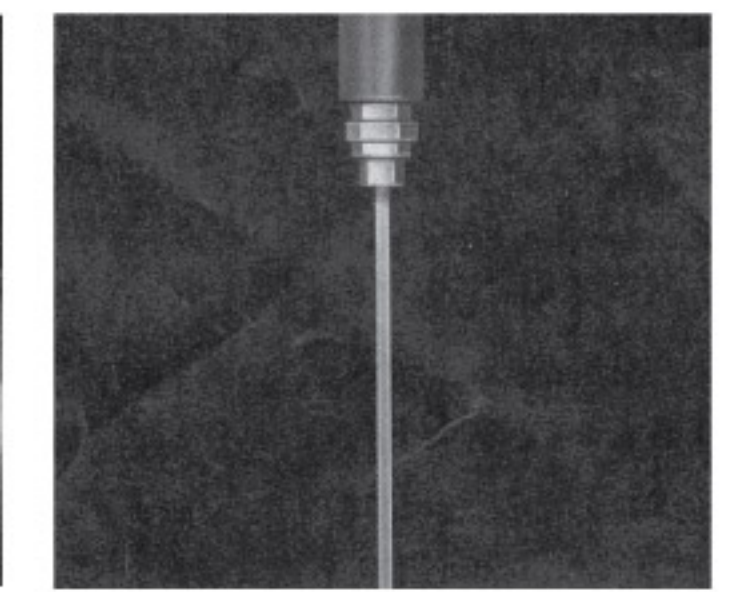
扇形  
Fan shape



实心锥形  
Full cone



空心锥形  
Hollow cone



液柱流形  
Pillar fluid

### 喷嘴流量及喷嘴角度的公差量 Tolerance and nozzle angle nozzle flow

本公司的喷嘴流量的公差一般为  $\pm 5.5\%$  Our nozzle's flow rate tolerance is  $\pm 5.5\%$

本公司的喷嘴角度的公差一般为  $\pm 5^\circ$  Our nozzle's spray angle tolerance is  $\pm 5^\circ$

本公司的液柱流角度的公差一般为  $\pm 3^\circ$  Our pillar fluid's spray angle is  $\pm 3^\circ$

### 喷嘴的维护保养至关重要 Maintenance to nozzle is very important

在不同的酸碱度,粘度,压力环境中,不同材质的喷嘴损耗不同.客户应根据喷嘴的实际使用状况对喷嘴进行清理维护,甚至更换.当清洗的工作比较脏时,喷嘴很容易造成堵塞.一方面要改变溶液的纯净度,对液体进行过滤处理,一方面要对喷嘴定期处理,使喷射效果发挥正常使用.当溶液酸碱度非常强时,要选用耐强腐蚀性材质喷嘴(316L,PVDF).当溶液浓度非常大时,要选用耐磨材质喷嘴(陶瓷,合金).如果喷嘴堵塞而不清理,一方面使工件清理不干净,另一方面造成共压泵的过载运转,使整套设备的运行受到极大的损害.因此,维护保养至关重要.

In the conditions of different PH value,viscosity,and pressure,nozzles with different material wear differently.Customer should do cleaning and maintenance to,even change nozzles regularly according to actual usage condition.When cleaning workpiece is dirty,nozzle is easy to be blocked.On one hand,liquid should be filtered to change the purity of solution,on the other hand,the nozzle should be cleaned regularly to make spraying working properly.When the solution's high density,the material with strong resistant to corrosion should be used (316L,PVDF).When the solution's cleaned and the wear-resisting material should be used (Ceramics,alloy).If nozzle is blocked without clearance,the workpiece can not be cleaned and press pump will be overloaded running, then the whole equipment working function will be damaged.So the maintenance to nozzle is very important.



## 26988 夹扣喷嘴 Clip-eyelet nozzle



### 材料特性 Material

| 部件 Components   | 材质 Texture  |
|-----------------|---|
| 帽盖 Cap          | 碳纤维增强聚丙烯, 含纤量 25% 耐热最高温 82℃, 耐化学腐蚀性能优良  |
| 喷头 Spray tips   | Carbon fiber reinforced polypropylene fiber content:25%   |
| 底座 Base         | Max operating temperature is 82℃ Excellent chemical resistance<br>Excellent abrasion resistance |
| 弹簧夹 Spring clip | 经淬火的 304 不锈钢 304 Stainless steel  |
| 密封圈 Seal ring   | 丁腈橡胶 Nitrile rubber 氟橡胶 Fluorous rubber   |

### 设计特点 Design Feature

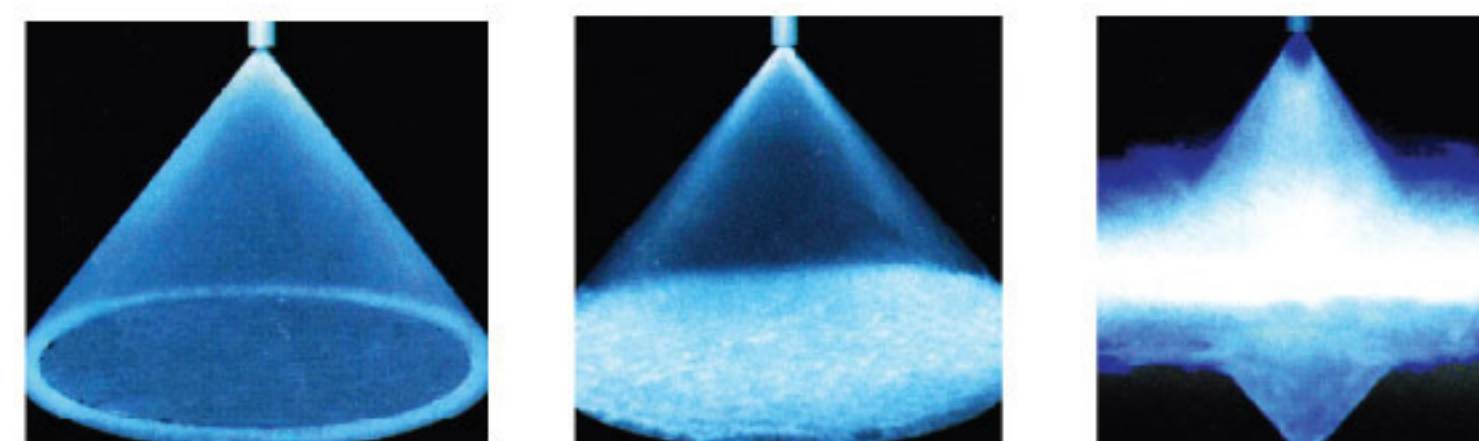
- 可调球形喷嘴有两种连接方式: 夹扣型 (26988 系列) 和螺纹型 (155 系列)。夹扣型喷嘴通过弹簧固定在集管上; 螺纹型喷嘴则采用螺纹连接方式。
- 可调球形喷嘴提供空心锥形, 实心锥形, 扇形三种喷雾模式。在使用过程中, 你可以快速精确地调整喷头的喷射方向, 使它总处在最佳的工作状态。
- 可调球形喷嘴的喷头拆卸非常快速, 可以不用任何工具, 直接用手可旋下。从喷嘴体中拆下球形喷头螺纹或快拆球便可插入新的喷头。
- Adjustable ball-Type nozzle has two types of connection; Clamp type (26988 series) and Threaded type(155 series).Clamp spray nozzle is fixed on the pipe by clamp, threaded type is to be fixed by threaded connection.
- Adjustable ball-Type nozzle can offer three types of spraying; Full cone type,hollow cone type, fan type.You can precisely adjust the spray direction anytime and make it under the best working operation.
- Ball-type tip is very quick to detach or connect. It can be detached or connected without any tools,and connect new spray tip.

### 夹扣型喷嘴规格 Size Of Clip-eyelet Nozzle

| 型号 Style No. | 夹管外径 (英寸) Pipe dia(Inch) | 夹管尺寸 (毫米) Pipe dia(mm) | 水管开孔直径 (毫米) Pipe cut-out(mm) |
|--------------|--------------------------|------------------------|------------------------------|
| 26988        | 1                        | 32-35                  | 14                           |
|              | 1-1/4                    | 38-43                  | 16                           |
|              | 1-1/2                    | 44-51                  | 18                           |
|              | 2                        | 54-60                  | 20                           |

### 螺纹型喷嘴规格 Threaded Nozzle Size

| 型号 Style No. | 连接螺纹尺寸 (英寸) Connecting thread size(Inch) |
|--------------|--|
| 155          | 1/8                                      |
|              | 1/4                                      |
|              | 3/8                                      |
|              | 1/2                                      |



## 26988 夹扣喷嘴 Clip-eyelet nozzle

### 性能数据 Performance Data

#### 空心锥形喷头 Hollow cone spray tip



| 喷头型号 Style No. | 流量 (升 / 分) Flow rate ( liters/minute ) |        |      |        |      |      |      | 喷射角度 Spray angle |        |      |
|----------------|--|--------|------|--------|------|------|------|------------------|--------|------|
|                | 0.3bar                                 | 0.7bar | 1bar | 1.5bar | 2bar | 3bar | 4bar | 0.5bar           | 1.5bar | 4bar |
| AT15-30.1      | 6.2                                    | 8.8    | 10.4 | 12.6   | 14.5 | 17.6 | 20.2 | 46°              | 49°    | 51°  |
| AT25-30.1      | 7.5                                    | 10.7   | 12.7 | 15.4   | 17.6 | 21.4 | 24.6 | 45°              | 47°    | 50°  |
| AT55-50.1      | 13.5                                   | 19.0   | 22.7 | 27.8   | 32.0 | 39.2 | 45.2 | 38°              | 46°    | 48°  |
| AT55-50.3      | 13.5                                   | 19.0   | 22.7 | 27.6   | 31.8 | 38.7 | 44.4 | 75°              | 45°    | 76°  |

#### 扇形喷头 Fan shaped spray tip



| 喷头型号 (在 3 巴时的喷射角度) Spray tip style ( at 3bar spray angle ) |         |         |         |         |         |        | 流量 (升 / 分钟) Flow rate ( L/min ) |      |        |      |      |      |  |
|--|---------|---------|---------|---------|---------|--------|---------------------------------|------|--------|------|------|------|--|
| 15°  | 25°     | 40°     | 50°     | 65°     | 80°     | 0.3bar | 0.7bar                          | 1bar | 1.5bar | 2bar | 3bar | 4bar |  |
|  |         |         |         | CT6510  | CT8010  | 1.2    | 1.9                             | 2.3  | 2.8    | 3.2  | 3.9  | 4.6  |  |
|  |         | CT4020  | CT5020  | CT6520  |         | 2.5    | 3.8                             | 4.6  | 5.6    | 6.5  | 7.9  | 9.1  |  |
|  |         | CT2530  | CT4030  | CT5030  | CT6530  | 3.7    | 5.7                             | 6.8  | 8.4    | 9.7  | 11.8 | 13.7 |  |
|  |         | CT4040  | CT5040  | CT6540  | CT8040  | 5.0    | 7.6                             | 9.1  | 11.2   | 12.9 | 15.8 | 18.2 |  |
|  |         | CT550   | CT4050  | CT5050  | CT6550  | 6.2    | 9.5                             | 11.4 | 14.0   | 16.1 | 19.7 | 23   |  |
|  |         | CT2560  | CT4060  | CT5060  | CT6560  | 7.5    | 11.4                            | 13.7 | 16.7   | 19.3 | 24   | 27   |  |
|  | CT1570  | CT4070  | CT5070  | CT6570  | CT8070  | 8.7    | 13.3                            | 16.0 | 19.5   | 23   | 28   | 32   |  |
| CT15100  | CT15100 | CT40100 | CT50100 | CT65100 | CT80100 | 12.5   | 19.1                            | 23   | 28     | 32   | 39   | 46   |  |

#### 实心锥形喷头 Full cone spray tip



| 喷头型号 Style No. | 流量 (升 / 分) Flow rate ( liters/minute ) |        |      |        |      |      |      | 喷射角度 Spray angle |        |      |
|----------------|--|--------|------|--------|------|------|------|------------------|--------|------|
|                | 0.3bar                                 | 0.7bar | 1bar | 1.5bar | 2bar | 3bar | 4bar | 0.5bar           | 1.5bar | 4bar |
| BT6            | 1.6                                    | 2.3    | 2.6  | 3.2    | 3.7  | 4.5  | 5.1  | 69°              | 74°    | 68°  |
| BT12.5         | 3.4                                    | 4.8    | 5.4  | 6.8    | 7.7  | 9.3  | 10.6 | 69°              | 74°    | 68°  |
| BT25           | 6.7                                    | 9.5    | 10.9 | 13.5   | 15.4 | 18.6 | 21   | 64°              | 67°    | 63°  |
| BT50           | 13.5                                   | 19.1   | 21.9 | 27     | 31   | 37   | 42   | 91°              | 94°    | 88°  |

#### 螺纹球规格 Threaded ball size



| 螺纹球型号 Style No. | 螺纹尺寸 (英寸) Thread size(inch) |
|-----------------|-----------------------------|
| BL2             | 1/4                         |
| BL3             | 3/8                         |

### 一般应用 Common application

- 金属清洗
- 喷涂
- 表面处理中的脱脂, 磷化
- 其他低压应用
- Cleaning
- Coating
- Degreasing,phosphating in the process of surface of treatment
- Other low pressure of application

### 订购信息 Order information

|                  |                  |                            |                     |                     |               |
|------------------|------------------|----------------------------|---------------------|---------------------|---------------|
| 26988            | 1                | D14                        | PP                  | CT6530              | PP            |
| 喷嘴型号 Nozzle type | 夹管尺寸 Pipe size   | 夹管开孔尺寸 Hole's dia. on pipe | 材料代码 Material       | 喷头型号 Spray tip type | 材料代码 Material |
| 155              | 3/8              | PP                         | QC6505              | PP                  |               |
| 喷嘴型号 Nozzle type | 螺纹尺寸 Thread size | 材料代码 Material              | 喷头型号 Spray tip type | 材料代码 Material       |               |



### 设计特点 DESIGN FEATURE

根据 Beroulli 射流引力原理,采用合理的几何曲面参数设计而成,流体从锥形喷嘴高速射出,在引导口周围形成低压区域。由于区域压力差以及液动量作用于吸引液体,使高速工作射流与被吸液体以 1:4 流体输量进入混合扩散段喷射出来,达到溶液无空气混合搅拌。

This model is according to Beroulli jet principle and designed by reasonable Geometric surface parameters. Liquid jet from cone nozzle at high speed, and cause a low pressure area around leading opening. High speed flow and liquid spray from mixing diffuser by 1:4

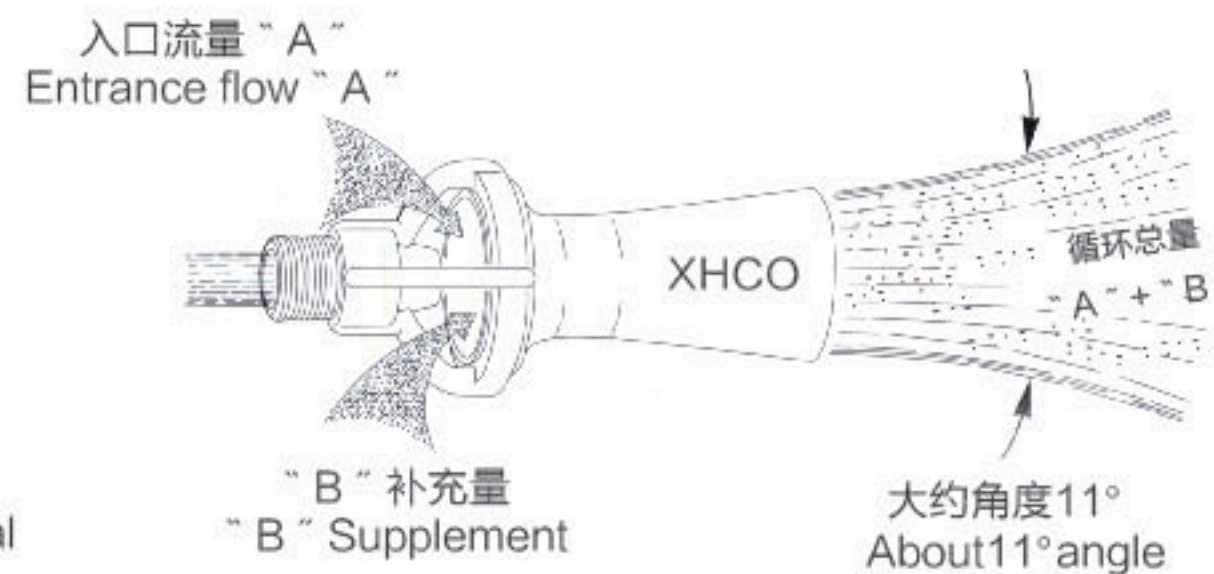
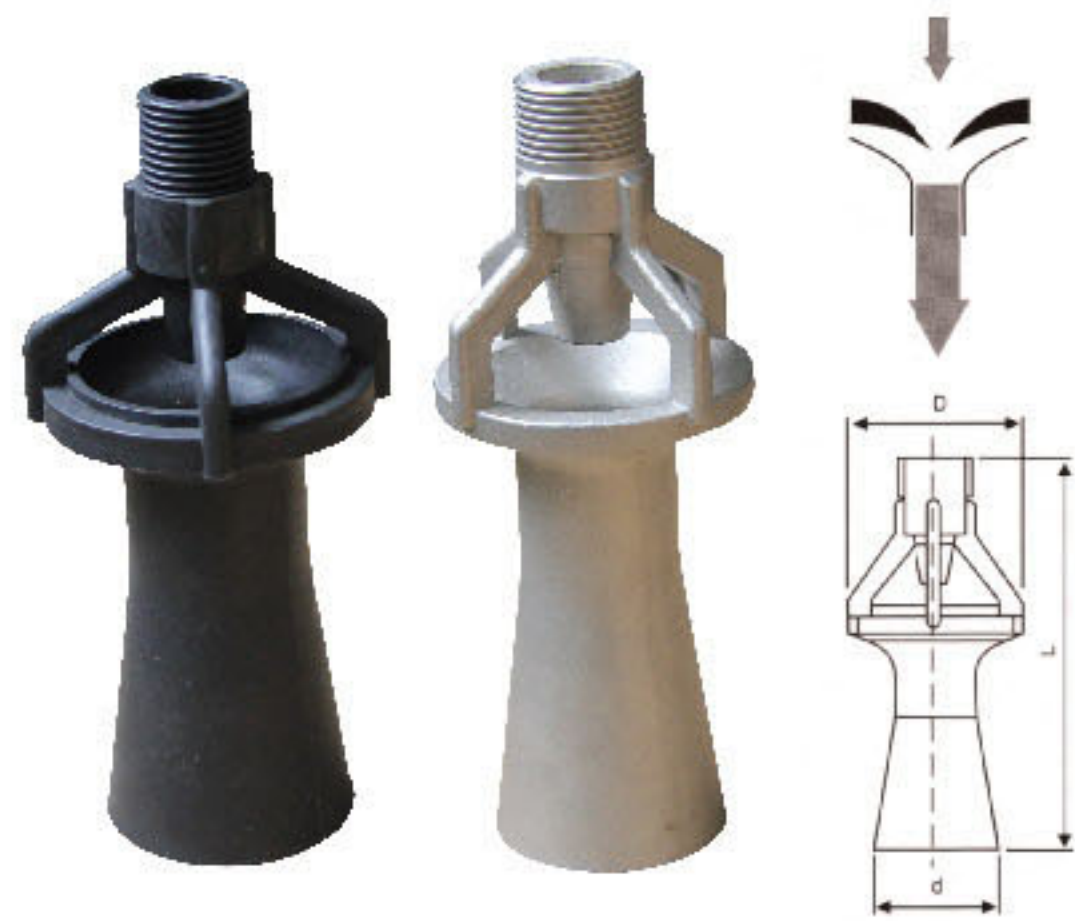
### 功能特性 PERFORMANCE FEATURE

- 实现溶液无空气混合搅拌,减少溶液氧化分解 ● 强化溶液循环系流运动,提高溶液混合效果 ● 促进溶液均匀度,提高工件表面处理质量
- mixing solution without air, reduce oxidation.
- Improve mixing effect.
- Improve evenness of solution and surface processing quality of workpiece.

### 材料特性 MATERIAL FEATURE

M型混流喷嘴采用高性能材料-碳纤维增强聚丙烯压铸成型,以及不锈钢材质,具有极好的耐化学物质腐蚀和耐老化性能,耐热高达120℃。

M Model mixing nozzle adopt high-performance material: Carbon fiber polypropylene die-casting, and also stainless steel, with excellent chemical resistance, ageing resistance, max performance temperature is 120℃.



| 入口接头 NPT 或 BSPT(M)<br>Inlet connector NPT or BSPT(M) | 大面积流量<br>Large area of flow                   | 输入液压 Input hydraulic pressure |           |           |           |           |           |           |           | 入口接头 NPT 或 BSPT(M)<br>Inlet connector NPT or BSPT(M) | 大面积流量<br>Large area of flow                   | 输入液压 Input hydraulic pressure |          |            |          |            |          |            |          |     |     |     |     |     |     |     |     |     |     |     |     |     |     |     |     |     |      |       |     |     |     |      |      |      |      |      |
|--|---|-------------------------------|-----------|-----------|-----------|-----------|-----------|-----------|-----------|--|---|-------------------------------|----------|------------|----------|------------|----------|------------|----------|-----|-----|-----|-----|-----|-----|-----|-----|-----|-----|-----|-----|-----|-----|-----|-----|-----|------|-------|-----|-----|-----|------|------|------|------|------|
|  |   | 10<br>psi                     | 15<br>psi | 20<br>psi | 25<br>psi | 30<br>psi | 35<br>psi | 40<br>psi | 45<br>psi |  |   | 0.5<br>psi                    | 1<br>psi | 1.5<br>psi | 2<br>psi | 2.5<br>psi | 3<br>psi | 3.5<br>psi | 4<br>psi |     |     |     |     |     |     |     |     |     |     |     |     |     |     |     |     |     |      |       |     |     |     |      |      |      |      |      |
| 1/4<br>3/8<br>3/4<br>1-1/2                           | 入口流量 (升/分)<br>Entrance flow (L/min) "A"       | 3.5                           | 4.3       | 5.0       | 5.5       | 6.1       | 6.6       | 7.0       | 7.8       | 1/4  | 入口流量 (升/分)<br>Entrance flow (L/min) "A"       | 11.3                          | 16.0     | 19.5       | 23       | 25         | 28       | 30         | 32       | 3/8 | 29  | 42  | 51  | 59  | 65  | 70  | 77  | 82  | 3/4 | 43  | 64  | 74  | 85  | 97  | 106 | 116 | 124  | 1-1/2 | 106 | 151 | 184 | 215  | 243  | 259  | 288  | 308  |
|  | 补充量 (升/分)<br>Supplement (L/min) "B"           | 12.7                          | 15.1      | 17.8      | 19.6      | 22        | 24        | 26        | 29        | 1/4  | 补充量 (升/分)<br>Supplement (L/min) "B"           | 42                            | 59       | 72         | 84       | 93         | 102      | 110        | 118      | 3/8 | 116 | 168 | 204 | 236 | 260 | 280 | 308 | 328 | 3/4 | 172 | 256 | 298 | 340 | 388 | 424 | 464 | 496  | 1-1/2 | 424 | 604 | 736 | 860  | 972  | 1036 | 1152 | 1232 |
|  | 循环总量 (升/分)<br>Total circulation (L/min) "A+B" | 16.2                          | 19.4      | 22.8      | 25.1      | 28.1      | 30.6      | 33        | 36.8      | 1/4  | 循环总量 (升/分)<br>Total circulation (L/min) "A+B" | 53.3                          | 75       | 91.5       | 107      | 118        | 130      | 140        | 150      | 3/8 | 145 | 210 | 255 | 295 | 325 | 350 | 385 | 410 | 3/4 | 215 | 320 | 370 | 425 | 485 | 530 | 580 | 620  | 1-1/2 | 530 | 755 | 920 | 1075 | 1215 | 1295 | 1440 | 1540 |
|  | 有效范围 (米)<br>Effective range (m)               | 3                             | 5         | 7         | 8.5       | 10        | 12        | 14        | 17        | 1/4  | 有效范围 (米)<br>Effective range (m)               | 0.91                          | 1.5      | 2.1        | 2.6      | 3.0        | 3.7      | 4.3        | 5.2      | 3/8 | 1.2 | 1.8 | 2.4 | 3.0 | 3.7 | 4.3 | 4.9 | 6.7 | 3/4 | 1.5 | 2.4 | 3.4 | 4.3 | 5.2 | 6.1 | 7.3 | 10.1 | 1-1/2 | 2.3 | 3.7 | 4.9 | 6.1  | 7.3  | 8.8  | 10.4 | 14.0 |

### 混流喷嘴规格 Mixing Nozzle Size

| 型号<br>Style No. | 入口接头 (英寸)<br>Inlet connector (inch) | L(mm) | D(mm) | C(mm) |
|-----------------|-------------------------------------|-------|-------|-------|
| G40             | 1/4                                 | 70    | 30    | 23    |
| G60             | 3/8                                 | 115   | 50    | 38    |
| G90             | 1/2                                 | 115   | 50    | 38    |
| G130            | 3/4                                 | 165   | 65    | 50    |

### 订购信息 Order information

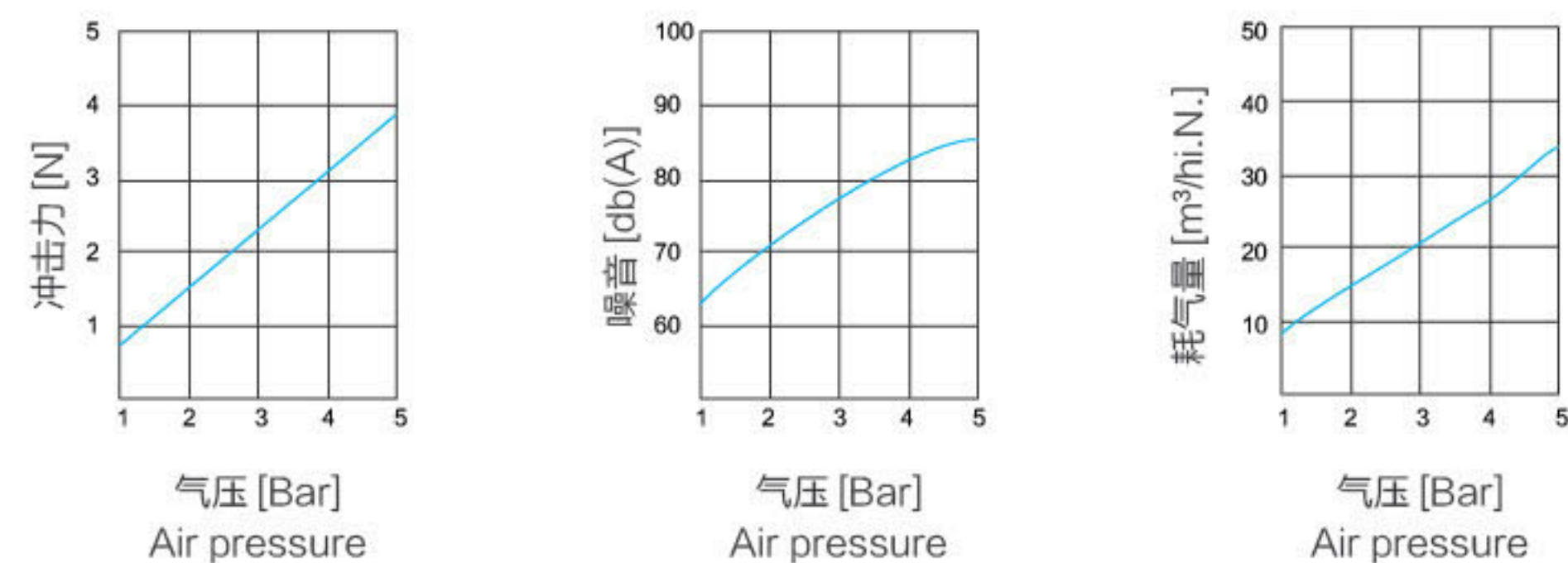
|             |                    |                |
|-------------|--------------------|----------------|
| G40         | 1/4                | PP             |
| ↓           | ↓                  | ↓              |
| 型号<br>Model | 入口尺寸<br>Inlet size | 材质<br>Material |

- F 型吹风喷嘴可喷出高冲力, 扇形空气流, 专为工艺处理中的各种吹风应用而设计。
- F 型吹风喷嘴采用 ABS 塑料或铝合金材质制作。喷嘴设计有多个柱形喷射气孔, 空气由此吹出而形成扇形和圆形空气流。喷嘴内部结构设计符合空气动力学原理有效降低了运行时气阻, 确保了吹风喷嘴在降低工作噪音和空气耗量的同时也能获得高气流冲力。
- F 型吹风喷嘴适用于 1/4 英寸的 BSPT 外螺纹连接头, 并设有定位孔 (ABS 喷嘴), 便于喷嘴的并排安装, 其形成的组合式风刀能产生有效的空气帘。
- F 型塑料吹风喷嘴能承受的气压为 7 巴, 在此气压下耐温可达 77℃。
- F 型铝合金吹风喷嘴能承受 30 巴左右气压并能耐 250℃ 高温。

- F style windjet nozzle generate efficient fan shaped air current.
- Designed to maintain spray pattern integrity.
- Available in materials that withstand high temperature, like ABS or aluminum alloy.
- F style windjet nozzle is applicable to 1/4" BSPT made connector and designed with a locating hole (ABS spray nozzle) in order to be mounted side-by-side for air curtain applications.
- F style plastic windjet nozzle can endure 7 bar air pressure, at this air pressure, max operating temperature is 77℃.
- F style aluminum alloy windjet nozzle can endure 30 bar pressure, at this air pressure, max operating temperature is 250℃.



### 性能数据 Performance Data



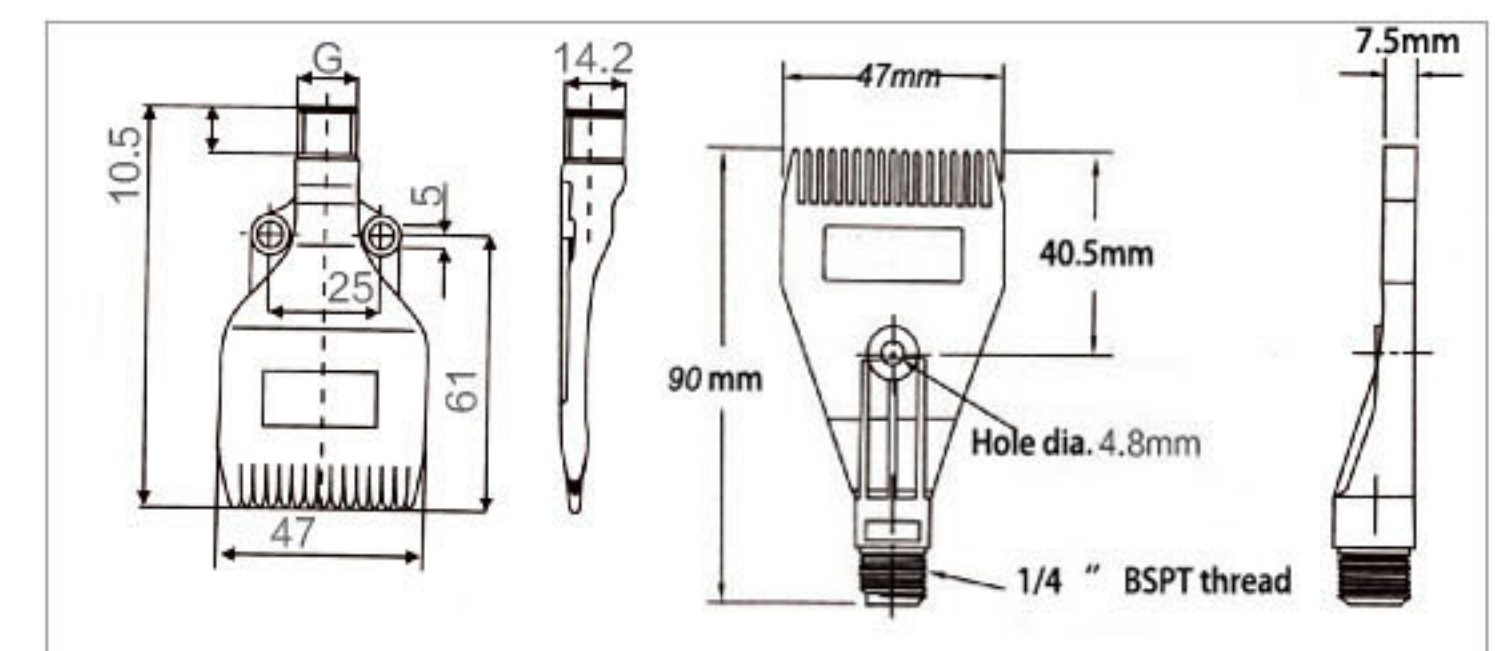
### 一般应用 Common Application

- 零件冷却 ● Cooling
- 零件干燥 ● Drying
- 零件洗涤 ● Cleaning
- 材料的移动 ● Moving material
- 引纸 ● Direct paper

### 订购信息 Order information

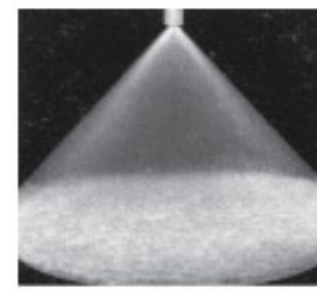
- F1/4-ALMA 铝合金材质 Aluminum alloy
- F1/4-ABS 塑料材质 ABS

### 外形尺寸 Product Size



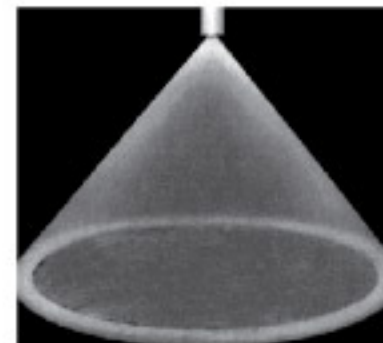


#### 快拆实心锥形喷头 Quick-connect Full Cone Tip



| 喷头型号<br>Style No. | 流量 (升/分) Flow rate ( liters/minute ) |        |        |      |      |      |      |      |      |       |        | 喷射角度 Spray angle |      |  |
|-------------------|--------------------------------------|--------|--------|------|------|------|------|------|------|-------|--------|------------------|------|--|
|                   | 0.5bar                               | 0.7bar | 1.5bar | 2bar | 3bar | 4bar | 5bar | 6bar | 7bar | 10bar | 0.5bar | 1.5bar           | 6bar |  |
| QB1               | 0.25                                 | 0.38   | 0.54   | 0.62 | 0.74 | 0.85 | 0.94 | 1.0  | 1.1  | 1.3   | -      | 58°              | 53°  |  |
| QB2               | 0.65                                 | 0.76   | 1.0    | 1.2  | 1.5  | 1.7  | 1.9  | 2.0  | 2.2  | 2.6   | 43°    | 50°              | 46°  |  |
| QB3               | 0.98                                 | 1.1    | 1.6    | 1.9  | 2.2  | 2.5  | 2.8  | 3.1  | 3.3  | 3.9   | 52°    | 65°              | 59°  |  |
| QB3.5             | 1.1                                  | 1.3    | 1.9    | 2.2  | 2.6  | 3.0  | 3.3  | 3.6  | 3.9  | 4.5   | 43°    | 50°              | 46°  |  |
| QB5               | 1.6                                  | 1.9    | 2.7    | 3.1  | 3.7  | 4.2  | 4.7  | 5.1  | 5.5  | 6.5   | 52°    | 65°              | 59°  |  |
| QB6.5             | 2.1                                  | 2.5    | 3.5    | 4.0  | 4.8  | 5.5  | 6.1  | 6.7  | 7.1  | 8.4   | 45°    | 50°              | 46°  |  |
| QB10              | 3.3                                  | 3.8    | 5.4    | 6.2  | 7.4  | 8.5  | 9.4  | 10.2 | 11.0 | 13.0  | 58°    | 67°              | 61°  |  |

#### 快拆空心锥形喷头 Quick-connect Hollow Cone Nozzle



| 喷头型号<br>Style No. | 流量 (升/分) Flow rate ( liters/minute ) |        |      |        |      |      |      |      |      |      |       | 喷射角度 Spray angle |        |      |
|-------------------|--------------------------------------|--------|------|--------|------|------|------|------|------|------|-------|------------------|--------|------|
|                   | 0.2bar                               | 0.5bar | 1bar | 1.5bar | 2bar | 3bar | 4bar | 5bar | 6bar | 7bar | 10bar | 0.5bar           | 1.5bar | 6bar |
| QA0.5             | -                                    | 0.16   | 0.23 | 0.28   | 0.32 | 0.39 | 0.46 | 0.51 | 1.56 | 0.60 | -     | 58°              | 69°    |      |
| QA1               | -                                    | 0.32   | 1.46 | 0.56   | 0.64 | 0.79 | 0.91 | 1.0  | 1.1  | 1.2  | -     | 65°              | 76°    |      |
| QA2               | -                                    | 0.64   | 0.91 | 1.1    | 1.3  | 1.6  | 1.8  | 2.0  | 2.2  | 2.4  | 53°   | 70°              | 80°    |      |
| QA3               | -                                    | 0.97   | 1.4  | 1.7    | 1.9  | 2.4  | 2.7  | 3.1  | 3.3  | 3.6  | 55°   | 79°              | 80°    |      |
| QA5               | -                                    | 1.6    | 2.3  | 2.8    | 3.2  | 3.9  | 4.6  | 5.1  | 5.6  | 6.0  | 70°   | 75°              | 79°    |      |
| QA8               | 1.6                                  | 2.6    | 3.6  | 4.5    | 5.2  | 6.3  | 7.3  | 8.2  | 8.9  | 9.6  | 65°   | 72°              | 74°    |      |
| QA10              | 2.0                                  | 3.2    | 4.6  | 5.6    | 6.4  | 7.9  | 9.1  | 10.2 | 11.2 | 12.1 | 70°   | 76°              | 75°    |      |
| QA15              | 3.1                                  | 4.8    | 6.8  | 8.4    | 9.7  | 11.8 | 13.7 | 15.3 | 16.7 | 18.1 | 70°   | 72°              | 75°    |      |
| QA5W              | -                                    | 1.6    | 2.3  | 2.8    | 3.2  | 3.9  | 4.6  | 5.1  | 5.6  | 6.0  | 125°  | 112°             | 98°    |      |
| QA8W              | 1.6                                  | 2.6    | 3.6  | 4.5    | 5.2  | 6.3  | 7.3  | 8.2  | 8.9  | 9.6  | 112°  | 100°             | 87°    |      |
| QA10W             | 2.0                                  | 3.2    | 4.6  | 5.6    | 6.4  | 7.9  | 9.1  | 10.2 | 11.2 | 12.1 | 111°  | 97°              | 89°    |      |
| QA15W             | 3.1                                  | 4.8    | 6.8  | 8.4    | 9.7  | 11.8 | 13.7 | 15.3 | 16.7 | 18.1 | 110°  | 98°              | 90°    |      |

#### 一般应用 Common Application

- 印刷电路板的生产
- 产品清洗、漂洗
- 金属部件磷化
- 冷却
- 加湿
- 化学制造业
- 灭尘控制
- Production of print circuit board
- Cleaning or rinsing
- Phosphating of metal components
- Cooling
- Humidifying
- Chemical manufacturing
- Dedusting, dust control

| 喷嘴体型号<br>Nozzle body Model | 入口接头 (英寸)<br>Inter connector (inch) |
|----------------------------|-------------------------------------|
| QJJ 1/8                    | 1/8                                 |
| QJJ 1/4                    | 1/4                                 |
| QJJ 3/8                    | 3/8                                 |
| QJJB 1/4                   | 1/4( 弯头 )                           |

#### 订购信息 Order information

|  |            |
|--|------------|
| 请注明喷嘴体型号和接头型号<br>Please note Nozzle body Model and spray tip style No. |            |
| 喷嘴体型号 Nozzle body Model  | QJJ 1/4-PP |
| 喷头型号 Spray tip style No.   | QB5-PP     |

QJJ 1/4-PP+QB5-PP

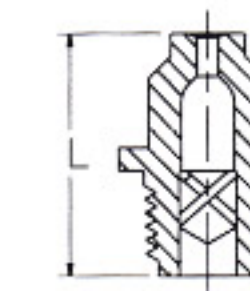
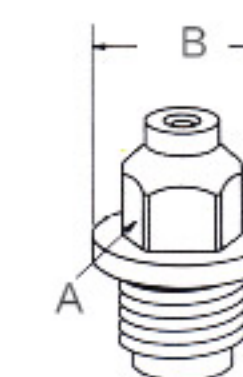


HAX 与 HBX 型喷嘴具有大而通畅的内部流道, 最大程度地减少了内部堵塞现象。切线旋流式设计产生均匀的雾化颗粒, 空心锥形喷雾。

HAX and HBX style nozzle have big and clear inside flow pass, which minimizes the block inside. The design of tangent vortex brings the uniform atomized particles, hollow cone spray.



#### PVDF一体式实心锥形喷嘴规格 PVDF One-piece Full Cone Nozzle Size



| 喷嘴型号<br>Nozzle type | 喷嘴入口尺寸<br>Nozzle inlet size | "A" 六边形<br>Hexangle | "B" 直径<br>Dia | "C" 长度<br>Length |
|---------------------|-----------------------------|---------------------|---------------|------------------|
| BB 1/8-KY           | 1/8"                        | 9.5mm               | 15.9mm        | 22.2mm           |
| BB 1/4-KY           | 1/4"                        | 12.7mm              | 19.1mm        | 25.4mm           |
| BB 3/8-KY           | 3/8"                        | 12.7mm              | 19.1mm        | 26.2mm           |

#### 性能数据 Performance Data

| 入口尺寸<br>Inlet size | 流量代码<br>Flow code | 喷孔孔径<br>Orifice Dia | 流量 (升/分) Flow rate ( liters/minute ) |        |      |      |      |      |      | 喷射角度 Spray angle |        |      |
|--------------------|-------------------|---------------------|--------------------------------------|--------|------|------|------|------|------|------------------|--------|------|
|                    |                   |                     | 0.7bar                               | 1.5bar | 2bar | 3bar | 4bar | 6bar | 7bar | 0.7bar           | 1.5bar | 6bar |
| 1/8"               | KY1.3             | 1.0mm               | 0.50                                 | 0.70   | 0.80 | 0.97 | 1.1  | 1.3  | 1.4  | 52°              | 65°    | 59°  |
|                    | KY3               | 1.5mm               | 1.1                                  | 1.6    | 1.9  | 2.2  | 2.5  | 3.1  | 3.3  | 52°              | 65°    | 59°  |
|                    | KY4               | 1.9mm               | 1.5                                  | 2.2    | 2.5  | 3.0  | 3.4  | 4.1  | 4.4  | 52°              | 65°    | 59°  |
|                    | KY6               | 2.3mm               | 2.3                                  | 3.2    | 3.7  | 4.5  | 5.1  | 6.1  | 6.6  | 67°              | 75°    | 82°  |
| 1/4"               | KY6               | 2.3mm               | 2.3                                  | 3.2    | 3.7  | 4.5  | 5.1  | 6.1  | 6.6  | 67°              | 75°    | 82°  |
|                    | KY8               | 2.4mm               | 3.0                                  | 4.3    | 4.9  | 6.0  | 6.8  | 8.2  | 8.8  | 58°              | 70°    | 64°  |
| 3/8"               | KY6               | 2.3mm               | 2.3                                  | 3.2    | 3.7  | 4.5  | 5.1  | 6.1  | 6.6  | 67°              | 75°    | 82°  |
|                    | KY8               | 2.4mm               | 3.0                                  | 4.3    | 4.9  | 6.0  | 6.8  | 8.2  | 8.8  | 58°              | 70°    | 64°  |
|                    | KY10              | 2.8mm               | 3.8                                  | 5.4    | 6.2  | 7.4  | 8.5  | 10.2 | 11.0 | 58°              | 70°    | 64°  |

#### 一般应用 Common Application

- 清洗
- 蚀刻
- 冲影
- Cleaning
- Etching
- Developing film

#### 订购信息 Order information

确定喷嘴类型及流量编码    Nozzle type+Flow code  
BB 1/8-KY1.3                      BB 1/8-KY1.3

性能数据 Performance Data

Flat Fan Spray 扇形喷雾

| 在 3 巴下的喷射角度 Spray angle at 3 bar |     |      |      |      |       |      | 喷嘴口径<br>spray<br>orifice Dia | 流量 (升/分) Flow rate (L/min) |      |      |      |      |     |     |     |      |      |      |  |  |  |  |
|----------------------------------|-----|------|------|------|-------|------|------------------------------|----------------------------|------|------|------|------|-----|-----|-----|------|------|------|--|--|--|--|
| 40°                              | 50° | 65°  | 80°  | 95°  | 110°  | 120° |                              | 0.3 巴                      | 1 巴  | 2 巴  | 3 巴  | 4 巴  | 5 巴 | 6 巴 | 7 巴 | 10 巴 | 20 巴 | 35 巴 |  |  |  |  |
|                                  |     | 6502 | 8002 | 9502 | 11002 |      | 0.91mm                       | 0.25                       | 0.46 | 0.64 | 0.79 | 0.91 | 1.0 | 1.1 | 1.2 | 1.4  | 2.0  | 2.7  |  |  |  |  |
|                                  |     | 6503 | 8003 | 9503 | 11003 |      | 1.1mm                        | 0.37                       | 0.68 | 0.97 | 1.2  | 1.4  | 1.5 | 1.7 | 1.8 | 2.2  | 3.1  | 4.0  |  |  |  |  |
|                                  |     | 6504 | 8004 | 9504 | 11004 |      | 1.3mm                        | 0.50                       | 0.91 | 1.3  | 1.6  | 1.8  | 2.0 | 2.2 | 2.4 | 2.9  | 4.1  | 5.4  |  |  |  |  |
|                                  |     | 6505 | 8005 | 9505 | 11005 |      | 1.4mm                        | 0.62                       | 1.1  | 1.6  | 2.0  | 2.3  | 2.5 | 2.8 | 3.0 | 3.6  | 5.1  | 6.7  |  |  |  |  |
|                                  |     | 6506 | 8006 | 9506 | 11006 |      | 1.6mm                        | 0.75                       | 1.4  | 1.9  | 2.4  | 2.7  | 3.1 | 3.3 | 3.6 | 4.3  | 6.1  | 8.1  |  |  |  |  |
|                                  |     | 6508 | 8008 | 9508 | 11008 |      | 1.8mm                        | 1.0                        | 1.8  | 2.6  | 3.2  | 3.6  | 4.1 | 4.5 | 4.8 | 5.8  | 8.2  | 10.8 |  |  |  |  |

Flat Fan Spray 扇形喷雾

| 在 3 巴下的喷射角度 Spray angle at 3 bar |     |      |      |      |       |      | 喷嘴口径<br>spray<br>orifice Dia | 流量 (升/分) Flow rate (L/min) |      |      |      |      |      |      |      |      |      |      |  |  |  |  |
|----------------------------------|-----|------|------|------|-------|------|------------------------------|----------------------------|------|------|------|------|------|------|------|------|------|------|--|--|--|--|
| 40°                              | 50° | 65°  | 80°  | 95°  | 110°  | 120° |                              | 0.3 巴                      | 1 巴  | 2 巴  | 3 巴  | 4 巴  | 5 巴  | 6 巴  | 7 巴  | 10 巴 | 20 巴 | 35 巴 |  |  |  |  |
|                                  |     | 6510 | 8010 | 9510 | 11010 |      | 2.0mm                        | 1.2                        | 2.3  | 3.2  | 3.9  | 4.6  | 5.1  | 5.6  | 6.0  | 7.2  | 10.2 | 13.5 |  |  |  |  |
|                                  |     | 6515 | 8015 | 9515 | 11015 |      | 2.4mm                        | 1.9                        | 3.4  | 4.8  | 5.9  | 6.8  | 7.6  | 8.4  | 9.0  | 10.8 | 15.3 | 20   |  |  |  |  |
|                                  |     | 6520 | 8020 | 9520 | 11020 |      | 2.8mm                        | 2.5                        | 4.6  | 6.5  | 7.9  | 9.1  | 10.2 | 11.2 | 12.1 | 14.4 | 20   | 27   |  |  |  |  |
|                                  |     | 6530 | 8030 | 9530 | 11030 |      | 3.6mm                        | 3.7                        | 6.8  | 9.7  | 11.8 | 13.7 | 15.3 | 16.7 | 18.1 | 22   | 31   | 40   |  |  |  |  |
|                                  |     | 6540 |      |      |       |      |                              | 5.0                        | 9.1  | 12.9 | 15.8 | 18.2 | 20   | 22   | 24   | 29   | 41   | 54   |  |  |  |  |
|                                  |     | 6550 |      |      |       |      |                              | 6.2                        | 11.4 | 16.1 | 19.7 | 23   | 25   | 28   | 30   | 36   | 51   | 68   |  |  |  |  |

订购信息 Order information

确定喷嘴类型及流量编码 Nozzle type+Flow code

CC-H1/4U-KY6501 CC H1/4U-KY6501

CC-HB1/4U-KT6510 CC-HB1/4U-KY6510

PVDF嵌陶瓷特性 Feature Of Nozzle With Ceramics Embedded In PVDF

将高纯度和高强度的陶瓷嵌体安装在 PVDF 壳体内, 使用寿命长。

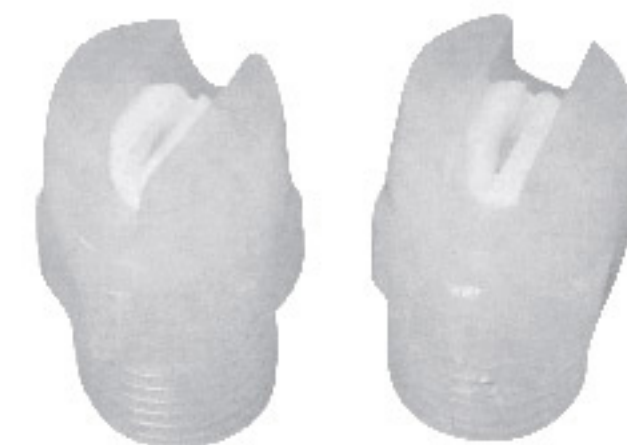
喷射角度为 65° 和 90° .

流量范围: 2.0-3.0 升 / 分钟 (在 0.3 巴时)

High purity and intensity ceramics embedded in PVDF

Long life time Spray angle:65° and 90°

Flow rate range:2.0-3.0L/min(at 3 bar)



一般用途 Common Application

- 印刷电路板清洗
- LCD 板清洗
- 火山灰冲洗
- PCB cleaning
- LCD plate cleaning
- The ash flushing

材质 Material

- 嵌体部分: 陶瓷
- 壳体部分: PVDF
- Inlay: Ceramic
- Shell: PVDF

PVDF陶瓷嵌体喷嘴 Nozzle With Ceramics Embedded In PVDF

| 型号<br>Style           | 流量 (升/分) Flow rate (L/min) |     |     |     |     |     |     |     | 喷射角度 (压力 0.3 巴)<br>Spray angle (At 3 bar) |
|-----------------------|----------------------------|-----|-----|-----|-----|-----|-----|-----|---|
|                       | 0.05                       | 0.1 | 0.2 | 0.3 | 0.4 | 0.6 | 0.8 | 1.0 |   |
| YB 1/4P MVD FVP-6520I | 0.8                        | 1.2 | 1.6 | 2.0 | 2.3 | 2.8 | 3.3 | 3.7 | 65°                                       |
| YB 1/4P MVD FVP-6530I | 1.2                        | 1.7 | 2.4 | 3.0 | 3.5 | 4.2 | 4.9 | 5.5 |   |
| YB 1/4P MVD FVP-9020I | 0.8                        | 1.2 | 1.6 | 2.0 | 2.3 | 2.8 | 3.3 | 3.7 | 90°                                       |
| YB 1/4P MVD FVP-9030I | 1.2                        | 1.7 | 2.4 | 3.0 | 3.5 | 4.2 | 4.9 | 5.5 |   |



设计特点 Design Feature



QH 可调式强热风嘴  
QH adjustable hot air shower nozzle

QH 固定强热风嘴  
QH fixed hot air shower nozzle



QY 斜口式强热风嘴  
QY beveled hot air shower nozzle

BQ 可调强冷风嘴  
BQ adjustable cold air shower nozzle

QH 系列热风循环风淋喷嘴由特殊工艺机械拉伸的长颈喇叭风嘴和可调底座组成, 经紊流的热风经加速后迅速向四周以一定的风速扩散达到热风循环搅动空气的作用, 对连续的隧道流水线和大工件的烘干、局部送风、净化单元是理想的专业喷嘴, 可用 304 不锈钢板、镀锌板、镀铝板、铝板、电解板等金属材料制作。

BQ 可调式强冷风喷嘴是由封嘴、内底座、外底座及固定法兰组合。两底座在固定风嘴的位置之间有密封条, 起密封和消音作用。根据风压一定, 喷嘴孔横截面积越小, 风速越大的原理, (即  $V=F/S$  指风压,  $S$  指喷嘴孔横截面积)。进风口与出风口直径的递减加快, 使得该喷嘴具有“强冷风喷嘴”的美称。一般采用金属材料冲压成型, 镀锌板、镀铝板、铝板、电解板在特别的应用条件采用冲压并抛光镜面处理。

QH series circulation strong hot nozzles are made by special process of mechanical stretching long necked bell-mouth opening and adjustable base. The flow of hot air spread around quickly to function as hot air circulation and stirring air. It's ideal nozzle for the tunnel continuous lines, larger workpiece drying, local air supply and purification.

The material can be 304 stainless steel plate, galvanized plate, aluminized Steel plate, aluminum plate, electrolytic plate etc.

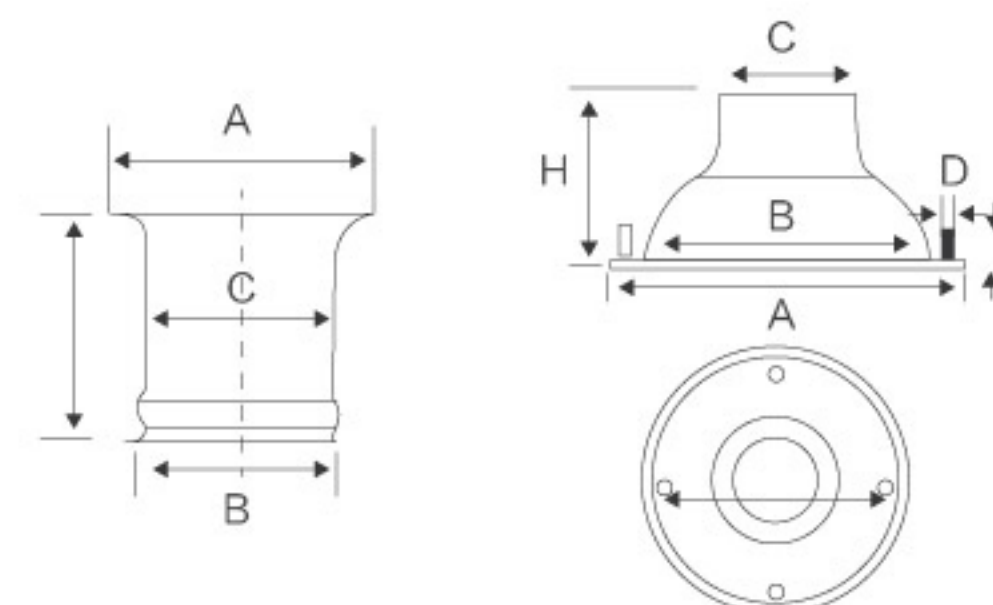
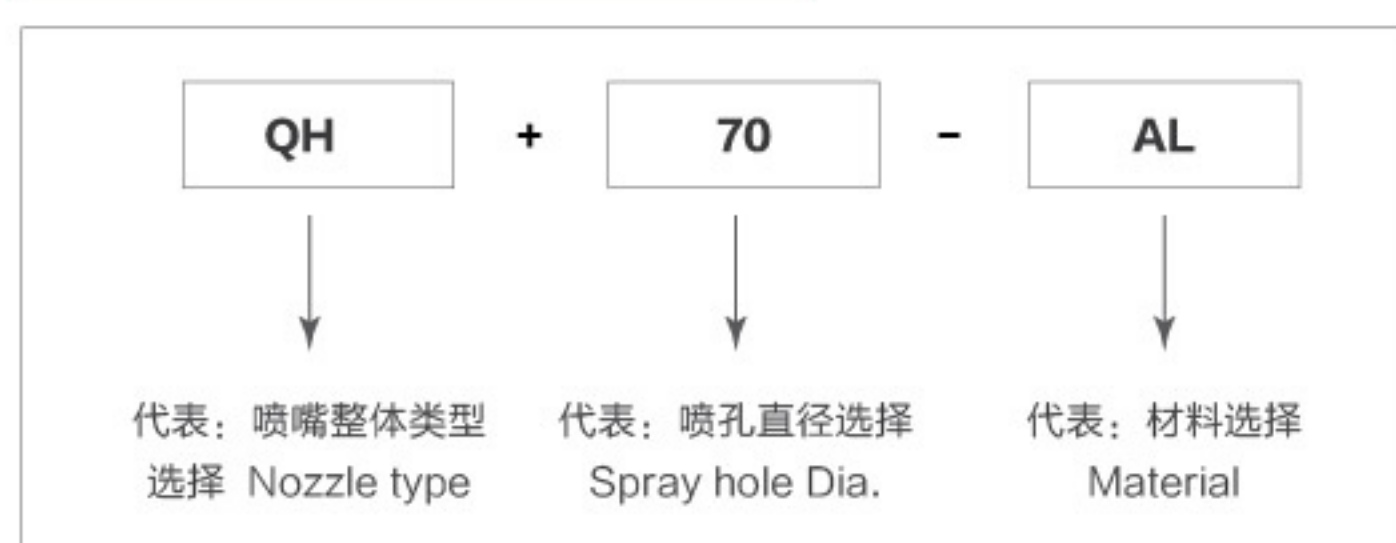
BQ adjustable cool air shower nozzle is composed of opening, inner base, outer base and fixed flange. There is seal strip between two bases and fixed nozzle position for sealing and noise reduction. According to the theory that under fix air pressure, the air speed is bigger, while the nozzle hole cross-sectional area is smaller ( $V=F/S$  is air speed, and  $S$  is cross-sectional area).

The decreasing of air inlet and outlet speed up, which gets the nozzle called "Strong cool air nozzle". Material is press forming metal, galvanized sheet, aluminized Steel Sheet, aluminum sheet, electro-Galvanized Steel. At special demands, the material is by forming and polishing process.

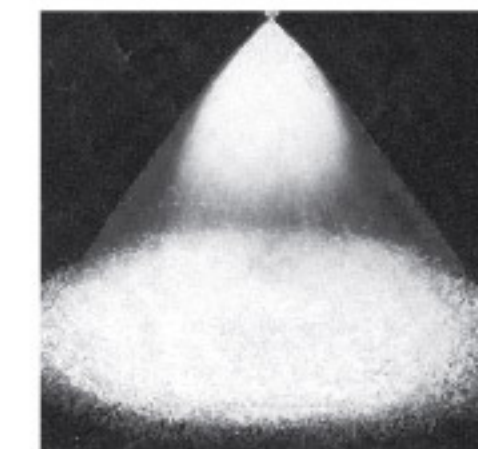
强热及强冷喷嘴参数: Hot/cold Air Shower Nozzle Performance Data

| 型号规格 Model Spec.      | BQ-40   | BQ-50   | BQ-60   | BQ-70   | QH-70   | QH-100 |      |
|-----------------------|---------|---------|---------|---------|---------|--------|------|
| 有效面积 effective area   | 0.00126 | 0.00196 | 0.00331 | 0.00385 | 0.00385 | 0.0085 |      |
| 风量<br>Air volume m³/h | V=2m/h  | 9       | 14      | 24      | 28      | 58     |      |
|                       | V=3m/h  | 14      | 21      | 36      | 40      | 92     |      |
|                       | V=4m/h  | 18      | 28      | 48      | 55      | 123    |      |
|                       | V=5m/h  | 23      | 35      | 60      | 69      | 154    |      |
|                       | V=6m/h  | 27      | 42      | 72      | 83      | 184    |      |
|                       | V=7m/h  | 32      | 49      | 84      | 97      | 215    |      |
| 外形尺寸<br>Dimension(mm) | A       | φ143    | φ143    | φ143    | φ143    | φ115   | φ165 |
|                       | B       | φ110    | φ110    | φ110    | φ110    | φ100   | φ156 |
|                       | C       | φ40     | φ40     | φ40     | φ40     | φ70    | φ100 |
|                       | H       | φ85     | φ85     | φ85     | φ85     | 100    | 145  |
|                       | N       | 3       | 3       | 3       | 3       | -      | -    |
|                       | Φ       | M5      | M5      | M5      | M5      | 115    | φ145 |

订购信息 Order information



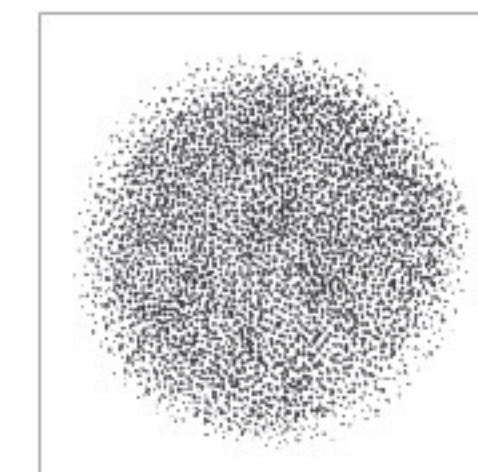
设计特点 Design Feature



标准 Fulljet 喷嘴的特点是能产生实心锥形喷雾形状, 喷射区域呈圆形, 喷射角为  $43^{\circ} - 106^{\circ}$ 。

Fulljet 喷嘴能在大范围的流率和压力下产生分布均匀, 液滴大小为中等到偏大的喷雾, 这种均匀的喷雾分布来源于独特的叶片设计和大而畅通的流道以及优良的控制特性。

Fulljet 喷嘴经精密制造, 达到了精密的尺寸, 确保准确而可靠的性能。这种喷嘴在要求完全覆盖一个区域的喷流应用领域能发挥极佳的效果。G 和 GG 系列 Fulljet 喷嘴具有可拆卸的帽盖和叶片, 能与集管和多支管很好的匹配其设计方法使得把工作末端(帽盖和叶片)从喷嘴上拆下来进行检修和清洗成为可能, 而不必把喷嘴体从集管上卸下来。H 系列标准 Fulljet (尺寸大于 1 英寸) 的喷嘴的叶片是用定位螺钉固定的, 需要时易于拆卸。HH 系列标准喷嘴的叶片不可拆卸。



Standard fulljet nozzle can generate full cone spray. The spray area is round. Spray angle is  $43^{\circ} - 106^{\circ}$ .

Fulljet nozzle can spray uniformly, droplets are from medium to big. This well distributed spray benefits from distinct vane design, big and clear channel, excellent control feature.

Fulljet nozzle made as precise dimension, which assure accurate and reliable performance.

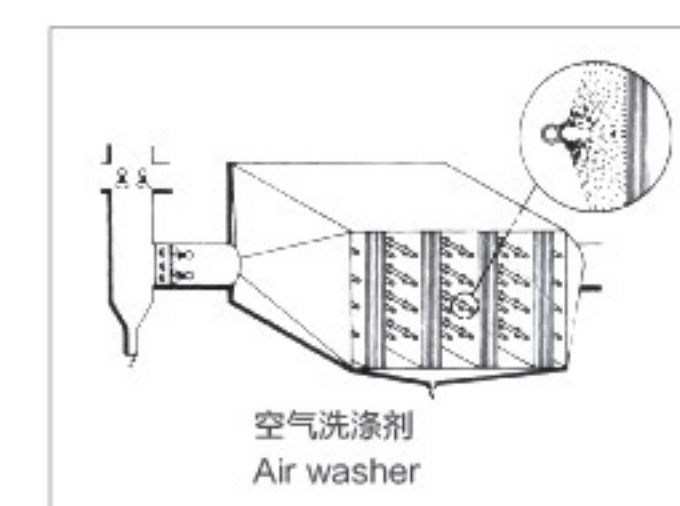
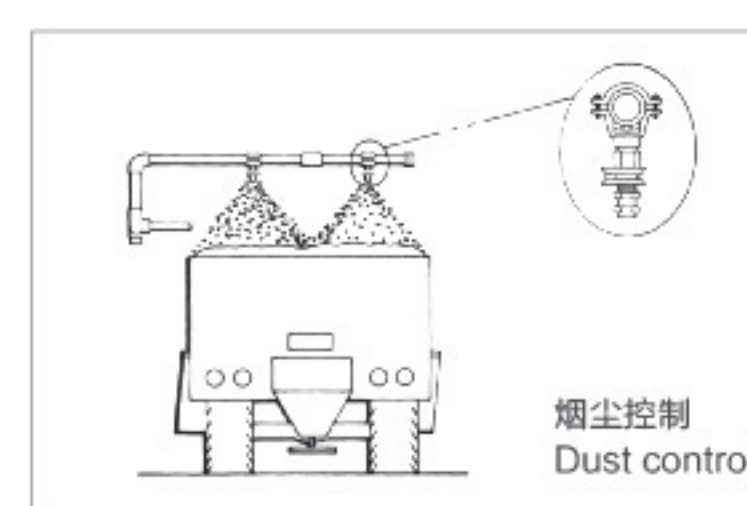
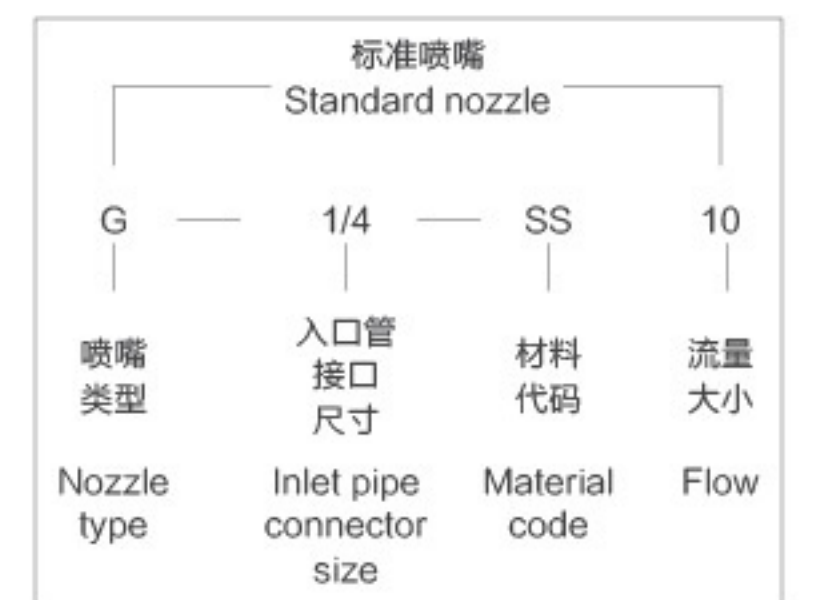
G and GG series have detachable cap and vane, can match both headers and multibranch pipe. This design makes it possible that the cap and vane can be detached from nozzle to be maintained and cleaned, instead of nozzle body. The vane of H series standard nozzle (size is more than 1") is fixed by positioning screw, which is easy to be detached. HH series standard nozzle's vane is not detachable.

一般应用 Common Application

- 洗涤和漂洗过程
- 焦炭、原生金属和其他材料的淬火与冷却
- 在处理大块矿石、煤炭石灰石、沙和石子
- 过程中抑制易散灰塵
- 对废气进行洗涤和冷却, 以清除漂塵和其它由燃烧产物
- 淹浸易燃物品的储藏箱, 以达灭火、防火之目的
- 泡沫塑料的崩裂与脱泡
- 在化学反应过程中液滴的产生和消除

- Washing and rinsing
- Quenching and cooling
- Control dust
- Waste gas washing and cooling
- Defoaming
- The generation and elimination of the droplets in the process of chemical reaction.

订购信息 Order information











性能数据 Performance Data

| 螺纹或法兰尺寸<br>Flange dia. | 喷嘴编号<br>Nozzle No. | 流量 Flow rate L/min@ 压力 Pressure bar |        |        |        |        |        |        |        | 自由畅通直径<br>Open dia(mm) |
|------------------------|--------------------|-------------------------------------|--------|--------|--------|--------|--------|--------|--------|------------------------|
|                        |                    | 0.2bar                              | 0.3bar | 0.5bar | 0.7bar | 1.0bar | 2.0bar | 3.0bar | 5.0bar |                        |
| 3/8                    | SMP125             | 2.60                                | 3.14   | 3.99   | 4.68   | 5.53   | 7.66   | 9.27   | 11.8   | 3.18                   |
|                        | SMP156             | 4.13                                | 4.99   | 6.35   | 7.43   | 8.79   | 12.2   | 14.7   | 18.7   | 3.97                   |
|                        | SMP187             | 5.96                                | 7.21   | 9.17   | 10.7   | 12.7   | 17.6   | 21.3   | 27.1   | 4.76                   |
| 1/2                    | SMP187             | 5.96                                | 7.21   | 9.17   | 10.7   | 12.7   | 17.6   | 21.3   | 27.1   | 4.76                   |
|                        | SMP218             | 9.48                                | 11.5   | 14.6   | 17.1   | 20.2   | 28.0   | 33.9   | 43.0   | 5.56                   |
|                        | SMP250             | 10.7                                | 12.9   | 16.4   | 19.2   | 22.7   | 31.4   | 38.0   | 48.4   | 6.35                   |
| 3/4                    | SMP281             | 13.1                                | 15.8   | 20.1   | 23.6   | 27.9   | 38.6   | 46.8   | 59.4   | 7.14                   |
|                        | SMP312             | 15.9                                | 19.2   | 24.4   | 28.6   | 33.8   | 46.8   | 56.6   | 72.0   | 7.94                   |
|                        | SMP343             | 19.4                                | 23.5   | 29.9   | 35.0   | 41.4   | 57.3   | 69.4   | 88.2   | 8.73                   |
| 1                      | SMP375             | 22.9                                | 27.7   | 35.2   | 41.3   | 48.8   | 67.6   | 81.8   | 104    | 9.53                   |
|                        | SMP406             | 27.6                                | 33.3   | 42.3   | 49.3   | 58.6   | 81.1   | 98.1   | 126    | 10.3                   |
|                        | SMP437             | 34.0                                | 40.6   | 50.9   | 59.0   | 69.0   | 93.6   | 112    | 140    | 11.1                   |
| 1-1/4                  | SMP437             | 34.0                                | 40.6   | 50.9   | 59.0   | 69.0   | 93.6   | 112    | 140    | 11.1                   |
|                        | SMP500             | 43.7                                | 52.2   | 65.4   | 75.8   | 88.7   | 120    | 144    | 180    | 11.1                   |
|                        | SMP531             | 48.5                                | 58.0   | 72.7   | 84.2   | 98.6   | 134    | 160    | 200    | 12.7                   |
| 1-1/2                  | SMP562             | 53.4                                | 63.8   | 79.9   | 92.7   | 108    | 147    | 176    | 220    | 13.5                   |
|                        | SMP562             | 53.4                                | 63.8   | 79.9   | 92.7   | 108    | 147    | 176    | 220    | 14.3                   |
|                        | SMP593             | 60.7                                | 72.5   | 90.9   | 105    | 123    | 167    | 200    | 250    | 15.1                   |
| 2                      | SMP625             | 64.7                                | 77.4   | 96.9   | 112    | 131    | 178    | 213    | 267    | 15.9                   |
|                        | SMP656             | 78.5                                | 93.5   | 117    | 136    | 159    | 216    | 258    | 324    | 16.7                   |
|                        | SMP687             | 82.5                                | 98.7   | 124    | 143    | 168    | 227    | 272    | 340    | 17.5                   |
| 3                      | SMP750             | 100                                 | 120    | 150    | 174    | 204    | 276    | 333    | 414    | 19.1                   |
|                        | SMP812             | 110                                 | 132    | 165    | 191    | 223    | 303    | 362    | 454    | 20.6                   |
|                        | SMP875             | 136                                 | 162    | 203    | 236    | 276    | 374    | 448    | 560    | 22.2                   |
| 2-1/2                  | SMP937             | 152                                 | 182    | 228    | 264    | 309    | 419    | 501    | 627    | 23.8                   |
|                        | SMP1000            | 178                                 | 213    | 266    | 309    | 361    | 490    | 586    | 734    | 25.4                   |
|                        | SMP1125            | 206                                 | 249    | 317    | 371    | 439    | 608    | 736    | 935    | 28.6                   |
| 4                      | SMP1125            | 206                                 | 249    | 317    | 371    | 439    | 608    | 736    | 935    | 28.6                   |
|                        | SMP1250            | 247                                 | 299    | 381    | 446    | 527    | 730    | 883    | 1120   | 31.8                   |
|                        | SMP1375            | 297                                 | 359    | 456    | 535    | 632    | 875    | 1060   | 1350   | 34.9                   |
| 3                      | SMP1500            | 363                                 | 440    | 559    | 655    | 774    | 1070   | 1230   | 1650   | 38.1                   |
|                        | SMP1500            | 363                                 | 440    | 559    | 655    | 774    | 1070   | 1230   | 1650   | 38.1                   |
|                        | SMP1625            | 428                                 | 517    | 658    | 770    | 911    | 1260   | 1530   | 1940   | 41.3                   |
| 4                      | SMP1750            | 488                                 | 591    | 751    | 880    | 1040   | 1440   | 1740   | 2220   | 44.5                   |
|                        | SMP1750            | 488                                 | 591    | 751    | 880    | 1040   | 1440   | 1740   | 2220   | 44.5                   |
|                        | SMP1825            | 550                                 | 660    | 845    | 990    | 1170   | 1620   | 1960   | 2490   | 47.6                   |
| 4                      | SMP2000            | 643                                 | 778    | 989    | 1160   | 1370   | 1900   | 2300   | 2920   | 50.8                   |
|                        | SMP2125            | 719                                 | 870    | 1100   | 1290   | 1530   | 2100   | 2550   | 3250   | 54.0                   |
|                        | SMP2250            | 780                                 | 944    | 1200   | 1400   | 1660   | 2300   | 2780   | 3540   | 57.2                   |

一般应用 Common Application

- 高温烟气快速冷却
- 废气洗涤
- 废气除尘
- 湿法脱硫
- 消防灭火
- 填料塔喷淋
- 焦炭熄火
- 洗涤与漂淋
- 化学塔喷淋
- 凉水塔与分馏塔喷淋
- 消泡
- Quick cooling of high-temperature flue gas
- Flue gas washing
- Flue gas dust removal
- Wet desulphurization
- Fire protection or extinguishment
- Leaching tower
- Coke quenching
- Washing and bleaching
- Chemical tower spraying
- Cooling water and fractionating tower spraying
- Defoaming

订购信息 Order information



连接标准 Connecting standard:

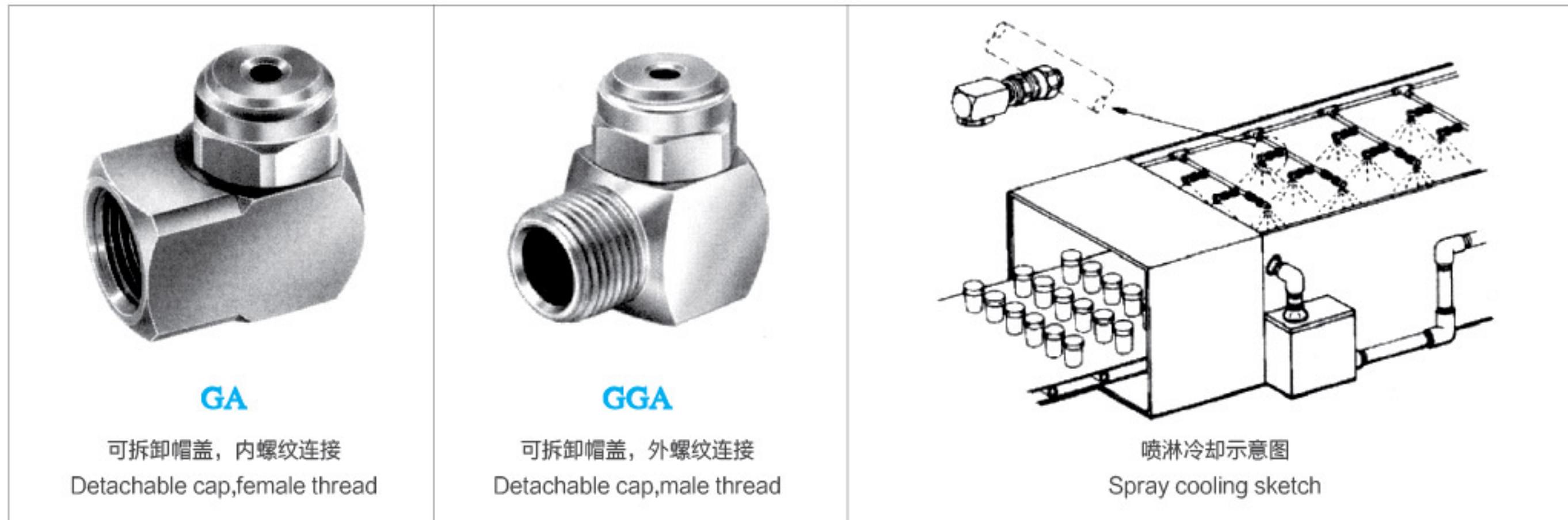
- Z:** 美制锥管螺纹 US taper pipe thread (NPT)
- ZG:** 英制锥管螺纹 British taper pipe thread (BSPT)——推荐 Recommend
- FL:** 法兰连接 (2寸以上) Flange connection (Above 2")

材料代码 Material:

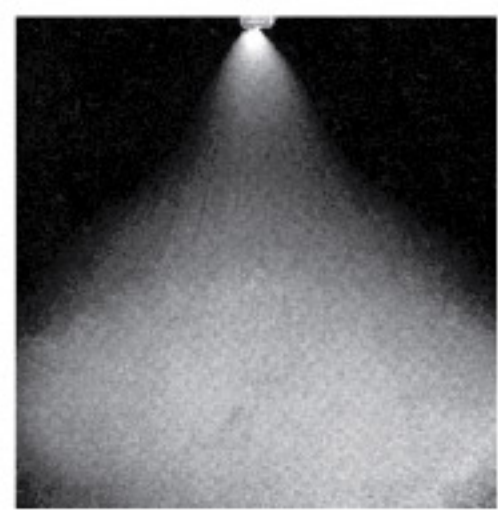
- 316L:** 316 不锈钢 Stainless steel
- BRASS:** 黄铜 BRASS
- PP:** 聚丙烯 Polypropylene
- TEF:** 聚四氟乙烯 Teflon

注: SMP 喷嘴连接方式默认为内螺纹连接, 如果需要外螺纹连接, 请特别说明。

Note: SMP nozzle's connection defaults to internal thread connection. If outer thread connection is needed, please note specially.



设计特点 Design Feature



- 转角形喷雾设计  
● Corner type spray design
- 喷雾形状为实心圆锥形状  
● Spray shape is round full cone
- 具有和通用类实心锥形喷嘴同样的喷雾效果  
● The spray effect is same as universal full cone nozzle
- 特别适合用于侧面开孔的喷淋管  
● Very suitable for Sprinkler pipe with side hole
- 喷射角度有标准角度和广角度  
● Spray angle have standard angle and wide angle

推荐附件 Recommended Accessories

拼合孔连接器 Connector

可替代螺纹焊接底座, 有防泄漏垫圈  
Can replace threaded weld base, with leakproof joint ring

可调球接头 Adjustable ball connector

具有万向可调位置, 方便控制喷嘴的喷射方向  
Adjustable position in all direction, easy to control the spray angle

一般应用 Common Application

- 清洗  
● Cleaning
- 冷却  
● Cooling
- 喷涂  
● Coating
- 物料喷洒  
● Spraying
- 除尘压灰  
● Dusting

订购资料 Order information

|                                       |   |   |                                   |   |
|---------------------------------------|---|---|-----------------------------------|---|
| GA<br>—<br>喷嘴<br>类型<br>Nozzle<br>type | 1/4<br>—<br>连接<br>尺寸<br>Connect<br>size | SS<br>—<br>材料<br>代码<br>Material<br>code | 10W<br>—<br>流量<br>代码<br>Flow code | 材料代码:<br>SS: 303 不锈钢 303 stainless steel<br>316SS: 316 不锈钢 316 stainless steel<br>BRASS: 黄铜 |
|---------------------------------------|---|---|-----------------------------------|---|

性能数据 Performance Data

标准角 Standard Angle

| 喷嘴入口<br>接头尺寸<br>Inlet<br>Connector size | 喷嘴型号 Nozzle Type      |                       | 流量代码<br>Flow code | 额定<br>喷嘴孔径<br>Rated spray<br>hole Dia (mm) | 最大畅通<br>直径<br>Max expedite<br>Dia(mm) | 流量 L/min @ 压力 bar<br>Flow rate L/min @ Pressure bar |        |      |      |      |      |      |      |      |       | 喷射角度<br>Spray angle |        |      |      |      |     |     |     |  |  |  |
|---|-----------------------|-----------------------|-------------------|--|---------------------------------------|---|--------|------|------|------|------|------|------|------|-------|---------------------|--------|------|------|------|-----|-----|-----|--|--|--|
|   | (内)接头<br>(F)connector | (外)接头<br>(M)connector |                   |  |                                       | 0.5bar  | 0.7bar | 1bar | 2bar | 3bar | 4bar | 5bar | 6bar | 7bar | 10bar | 0.5bar              | 1.5bar | 6bar |      |      |     |     |     |  |  |  |
|   | GA                    | GGA                   |                   |  |                                       |   |        |      |      |      |      |      |      |      |       |                     |        |      |      |      |     |     |     |  |  |  |
| 1/8                                     | ●                     | ●                     | 1                 | 0.79                                       | 0.64                                  |   |        |      |      |      |      |      |      |      |       |                     |        |      |      |      |     |     |     |  |  |  |
|   | ●                     | ●                     | 1.5               | 1.2  | 0.64                                  | 0.49  | 0.57   | 0.81 | 0.93 | 1.1  | 1.3  | 1.4  | 1.5  | 1.7  | 1.9   | 2.0                 | 2.2    | 2.6  | 4.3° | 50°  | 46° | 58° | 53° |  |  |  |
|   | ●                     | ●                     | 2                 | 1.2  | 1.0                                   | 0.65  | 0.76   | 1.1  | 1.2  | 1.5  | 1.7  | 1.9  | 2.0  | 2.2  | 2.6   | 3.0                 | 3.3    | 3.6  | 3.9  | 4.5  | 43° | 50° | 46° |  |  |  |
|   | ●                     | ●                     | 3                 | 1.5  | 1.0                                   | 0.98  | 1.1    | 1.6  | 1.9  | 2.2  | 2.5  | 2.8  | 3.1  | 3.3  | 3.9   | 4.5                 | 5.1    | 5.5  | 6.5  | 52°  | 65° | 59° |     |  |  |  |
|   | ●                     | ●                     | 3.5               | 1.6  | 1.3                                   | 1.1   | 1.3    | 1.9  | 2.2  | 2.6  | 3.0  | 3.3  | 3.6  | 3.9  | 4.5   | 5.1                 | 5.5    | 6.5  | 52°  | 65°  | 59° |     |     |  |  |  |
|   | ●                     | ●                     | 3.9               | 2.0  | 1.0                                   | 1.3   | 1.5    | 2.1  | 2.4  | 2.9  | 3.3  | 3.7  | 4.0  | 4.3  | 5.1   | 5.5                 | 6.5    | 7.7  | 8.4  | 77°  | 84° | 79° |     |  |  |  |
|   | ●                     | ●                     | 5                 | 2.0  | 1.3                                   | 1.6   | 1.9    | 2.7  | 3.1  | 3.7  | 4.2  | 4.7  | 5.1  | 5.5  | 6.5   | 7.7                 | 8.4    | 10.2 | 11.0 | 13.0 | 58° | 67° | 61° |  |  |  |
| 1/4                                     | ●                     | ●                     | 6.5               | 2.38                                       | 1.6                                   | 2.1   | 2.5    | 3.5  | 4.0  | 4.8  | 5.5  | 6.1  | 6.7  | 7.1  | 8.4   | 9.8                 | 11.4   | 13.2 | 15.3 | 45°  | 50° | 46° |     |  |  |  |
|   | ●                     | ●                     | 10                | 3.18                                       | 1.6                                   | 3.3   | 3.8    | 5.4  | 6.2  | 7.4  | 8.5  | 9.4  | 10.2 | 11.0 | 13.0  | 15.3                | 18.0   | 21.0 | 24.0 | 28.0 | 58° | 67° | 61° |  |  |  |
| 3/8                                     | ●                     | ●                     | 9.5               | 2.6  | 2.4                                   | 3.1   | 3.6    | 5.1  | 5.9  | 7.1  | 8.1  | 8.9  | 9.7  | 10.4 | 12.3  | 14.5                | 17.1   | 20.1 | 23.1 | 28.1 | 45° | 50° | 46° |  |  |  |
|   | ●                     | ●                     | 15                | 3.6  | 2.4                                   | 4.9   | 5.7    | 8.1  | 9.3  | 11.2 | 12.7 | 14.1 | 15.4 | 16.5 | 19.4  | 22.4                | 26.4   | 30.4 | 35.4 | 41.4 | 64° | 67° | 61° |  |  |  |
|   | ●                     | ●                     | 20                | 4.0  | 2.8                                   | 6.5   | 7.6    | 10.8 | 12.4 | 14.9 | 17.0 | 18.8 | 20   | 22   | 26    | 30.6                | 35.6   | 41.6 | 48.6 | 56.6 | 76° | 80° | 73° |  |  |  |
|   | ●                     | ●                     | 22                | 4.5  | 2.8                                   | 7.2   | 8.4    | 11.9 | 13.6 | 16.4 | 18.7 | 21   | 23   | 24   | 28    | 32.4                | 37.4   | 43.4 | 50.4 | 58.4 | 87° | 90° | 82° |  |  |  |
| 1/2                                     | ●                     | ●                     | 16                | 3.5  | 3.2                                   | 5.2   | 6.1    | 8.7  | 9.9  | 11.9 | 13.6 | 15.1 | 16.4 | 17.6 | 21    | 24                  | 27     | 32   | 37   | 43   | 48° | 50° | 46° |  |  |  |
|   | ●                     | ●                     | 25                | 4.6  | 3.2                                   | 8.2   | 9.5    | 13.5 | 15.4 | 18.6 | 21   | 24   | 26   | 27   | 32    | 36                  | 41     | 47   | 54   | 61   | 64° | 67° | 61° |  |  |  |
|   | ●                     | ●                     | 32                | 5.2  | 3.6                                   | 10.4  | 12.2   | 17.3 | 19.8 | 24   | 27   | 30   | 33   | 35   | 41    | 47                  | 54     | 62   | 71   | 81   | 72° | 75° | 68° |  |  |  |
|   | ●                     | ●                     | 40                | 6.2  | 3.6                                   | 13.1  | 15.2   | 22   | 25   | 30   | 34   | 38   | 41   | 44   | 52    | 61                  | 71     | 81   | 93   | 107  | 88° | 91° | 83° |  |  |  |

广角 Wide Angle

| 喷嘴入口<br>接头尺寸<br>Inlet<br>Connector size | 流量代码<br>Flow code | 喷嘴型号 Nozzle Type |     | 额定<br>喷嘴孔径<br>Rated spray<br>hole Dia<br>(mm) | 最大畅通<br>直径<br>Max clear<br>Dia(mm) | 流量 L/min @ 压力 bar<br>Flow rate L/min @ Pressure bar |        |        |      |      |      |      |      |      |        |        | 喷射角度<br>Spray angle |  |  |  |      |      |      |  |  |  |
|---|-------------------|------------------|-----|---|------------------------------------|---|--------|--------|------|------|------|------|------|------|--------|--------|---------------------|--|--|--|------|------|------|--|--|--|
|   |                   | GA               | GGA |   |                                    | 0.3bar  | 0.5bar | 0.7bar | 1bar | 2bar | 3bar | 4bar | 5bar | 6bar | 0.3bar | 0.7bar | 6bar                |  |  |  |      |      |      |  |  |  |
|   |                   |                  |     |   |                                    |   |        |        |      |      |      |      |      |      |        |        |                     |  |  |  |      |      |      |  |  |  |
| 1/8                                     | 4.3W              | ●                | ●   | 2.0   | 1.0                                |   |        |        |      | 1.6  | 1.9  | 2.6  | 3.1  | 3.5  | 3.9    | 4.2    |                     |  |  |  |      |      |      |  |  |  |
|   | 5.6W              | ●                | ●   | 2.4   | 1.0                                |   |        |        |      | 1.8  | 2.1  | 2.5  | 3.4  | 4.0  | 4.6    | 5.1    | 5.5                 |  |  |  |      |      |      |  |  |  |
|   | 8W                | ●                | ●   | 2.4   | 1.3                                |   |        |        |      | 2.6  | 3.0  | 3.6  | 3.6  | 4.8  | 5.8    | 6.6    | 7.2                 |  |  |  |      |      |      |  |  |  |
| 1/4                                     | 10W               | ●                | ●   | 2.8   | 1.3                                | 2.6   | 3.3    | 3.8    | 4.5  | 6.0  | 7.2  | 8.2  | 9.1  | 9.8  |        |        |                     |  |  |  | 112° | 120° | 103° |  |  |  |
|   | 12W               | ●                | ●   | 3.2   | 1.3                                | 3.1   | 3.9    | 4.6    | 5.3  | 7.3  | 8.7  | 9.8  | 10.9 | 11.8 |        |        |                     |  |  |  | 114° | 120° | 103° |  |  |  |
|   | 14W               | ●                | ●   | 3.6   | 1.6                                | 3.7   | 4.6    | 5.3    | 6.2  | 8.5  | 10.1 | 11.5 | 12.7 | 13.7 |        |        |                     |  |  |  | 114° | 120° | 103° |  |  |  |
| 3/8                                     | 20W               | ●                | ●   | 4.4   | 2.4                                | 5.2   | 6.6    | 7.6    | 8.9  | 12.1 | 14.5 | 16.5 | 18.1 | 19.6 |        |        |                     |  |  |  | 114° | 120° | 104° |  |  |  |
|   | 24W               | ●                | ●   | 4.8   | 2.4                                | 6.3   | 7.9    | 9.1    | 10.7 | 14.5 | 17.3 | 19.7 | 22   | 24   |        |        |                     |  |  |  | 114° | 120° | 104° |  |  |  |
|   | 27W               | ●                | ●   | 5.2   | 2.8                                | 7.1   | 8.9    | 10.3   | 12.0 | 16.3 | 19.5 | 22   | 24   | 26   |        |        |                     |  |  |  | 114° | 120° | 106° |  |  |  |
| 1/2                                     | 35W               | ●                | ●   | 6.0   | 3.2                                | 9.2   | 11.5   | 13.3   | 15.6 | 21   | 25   | 29   | 32   | 34   |        |        |                     |  |  |  | 114° | 120° | 108° |  |  |  |
|   | 40W               | ●                | ●   | 6.4   | 3.2                                | 10.5  | 13.1   | 15.2   | 17.8 | 24   | 29   | 33   | 36   | 39   |        |        |                     |  |  |  | 114° | 120° | 108° |  |  |  |
|   | 45W               | ●                | ●   | 6.4   | 3.6                                | 11.8  | 14.8   | 17.1   | 20   | 27   | 33   | 37   | 41   | 44   |        |        |                     |  |  |  | 114° | 120° | 110° |  |  |  |
|   | 50W               | ●                | ●   | 6.7   | 4.0                                | 13.1  | 16.4   | 19.1   | 22   | 30   | 36   | 41   | 45   | 49   |        |        |                     |  |  |  | 114° | 120° | 112° |  |  |  |

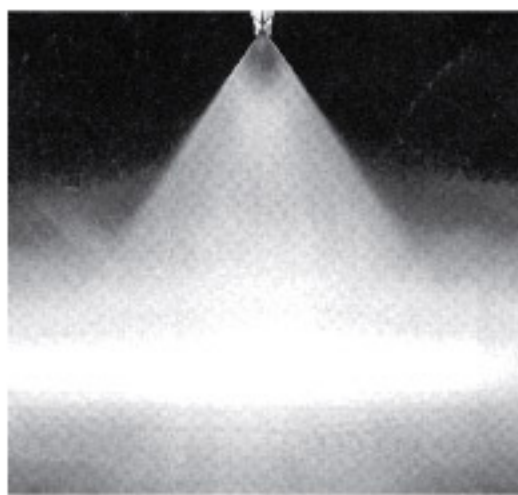




标准型 Standard type



设计特点 Design Feature



标准扇形喷嘴的特点是能产生高冲击力的液柱流或扇形喷雾。喷流角度: 0° -110°。

H-VV 和 H-VVL 系列喷嘴在 3 巴压力下流量不到 3.9 升/分, 具有外管道螺纹接头。在订购型号中以 DT 代替 VV 即可提供内管道螺纹接头 H-VVL 系列喷嘴内装过滤器(在内管道螺纹接头时没有过滤器)。

H-U 和 U 系列喷嘴在 3 巴压力下, 额定流量为 3.9 升/分或更大, 并具有外管道螺纹接头。

在订购型号中以 DU 代替 U 即可提供带内螺纹管道接头的 1/8" 和 1/4" H-U 系列喷嘴。

The feature of standard fan shaped nozzle is it generates high impact force of pillar flow or fan shaped spray.Spray angle is 0°-110°.

H-VV and H-VVL series' flow rate is under 3.9L/min at 3bar.It has male thread connector.In order style,use DT to replace VV,it means female thread connector.H-VVL series is with built-in filter(without filter when it is with female thread connector).

The rated flow of H-U and U series is 3.9L/min or more at 3bar.It is with male thread connector.

In order style,use DU to replace U,it means 1/8" and 1/4" H-U series nozzle with female thread connector.

一般应用 Common Application

- 冷却与淬火 ● Cooling and quenching
- 产品洗涤 ● Cleaning
- 水的冷却 ● Air and gas purifier
- 空气与气体净化器 ● Scourers
- 擦洗器 ● Liquid cleaner
- 液体清洗器 ● Dust control
- 灰尘控制 ● Fireproof
- 防火

附件 Accessory



材料 Material

| 材料<br>Material          | 材料代码<br>Material code | VEEJET® |       |     |   |
|-------------------------|-----------------------|---------|-------|-----|---|
|                         |                       | H-VV    | H-VVL | H-U | U |
| 黄铜 Brass                |                       | ●       | ●     | ●   | ● |
| 软钢 Soft steel           |                       |         |       | ●   | ● |
| 303 不锈钢 stainless steel | SS                    | ●       | ●     | ●   | ● |
| 316 不锈钢 stainless steel | 316SS                 |         | ●     | ●   |   |
| 聚氯乙烯 PVC                | PVC                   |         |       | ●   |   |

性能数据 Performance Data

| 喷流角度<br>(3巴时)<br>Spray angle<br>at 3 bar | 流量大小<br>Flow code | VEEJET 喷嘴<br>Nozzle type/inlet connector |        |        |        |     |     |     |     |        |      | 等效孔径<br>Equivalent<br>orifice dia. | 流量 (升/公分) Flow (L/min) |      |      |      |      |      |       |       |       |        |      |      |       |  | 喷射角度<br>Spray angle |  |  |  |  |  |  |  |  |  |  |  |  |  |  |  |  |  |
|--|-------------------|--|--------|--------|--------|-----|-----|-----|-----|--------|------|------------------------------------|------------------------|------|------|------|------|------|-------|-------|-------|--------|------|------|-------|--|---------------------|--|--|--|--|--|--|--|--|--|--|--|--|--|--|--|--|--|
|  |                   | H-VV                                     |        | H-VVL  |        | H-U |     | U   |     | 0.3bar | 1bar |                                    | 2bar                   | 3bar | 4bar | 5bar | 6bar | 7bar | 10bar | 20bar | 35bar | 1.5bar | 3bar | 6bar | 14bar |  |                     |  |  |  |  |  |  |  |  |  |  |  |  |  |  |  |  |  |
|  |                   | 1/8                                      | 1/4    | 1/8    | 1/4    | 1/8 | 1/4 | 3/8 | 1/2 | 3/4    | 1    |                                    | 1-1/4                  | 2    |      |      |      |      |       |       |       |        |      |      |       |  |                     |  |  |  |  |  |  |  |  |  |  |  |  |  |  |  |  |  |
| 110°                                     | 11001             | ●  | ●      | ●      | ●      |     |     |     |     |        |      |                                    |                        |      |      |      |      |      |       |       |       |        |      |      |       |  |                     |  |  |  |  |  |  |  |  |  |  |  |  |  |  |  |  |  |
|  | 95°               | 950050                                   | ●      |        |        |     |     |     |     |        |      |                                    |                        |      |      |      |      |      |       |       |       |        |      |      |       |  |                     |  |  |  |  |  |  |  |  |  |  |  |  |  |  |  |  |  |
|  |                   | 80°                                      | 800050 | ●      | ●      | ●   | ●   |     |     |        |      |                                    |                        |      |      |      |      |      |       |       |       |        |      |      |       |  |                     |  |  |  |  |  |  |  |  |  |  |  |  |  |  |  |  |  |
|  |                   |  | 73°    | 730077 | ●      | ●   | ●   | ●   |     |        |      |                                    |                        |      |      |      |      |      |       |       |       |        |      |      |       |  |                     |  |  |  |  |  |  |  |  |  |  |  |  |  |  |  |  |  |
|  |                   |  |        | 65°    | 650050 | ●   | ●   | ●   | ●   |        |      |                                    |                        |      |      |      |      |      |       |       |       |        |      |      |       |  |                     |  |  |  |  |  |  |  |  |  |  |  |  |  |  |  |  |  |

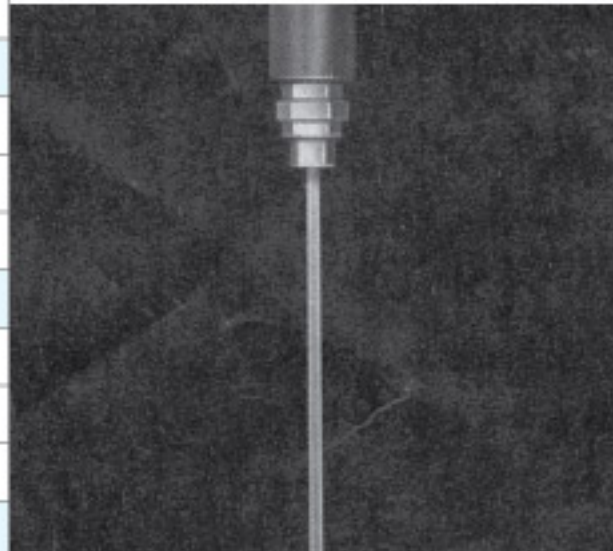




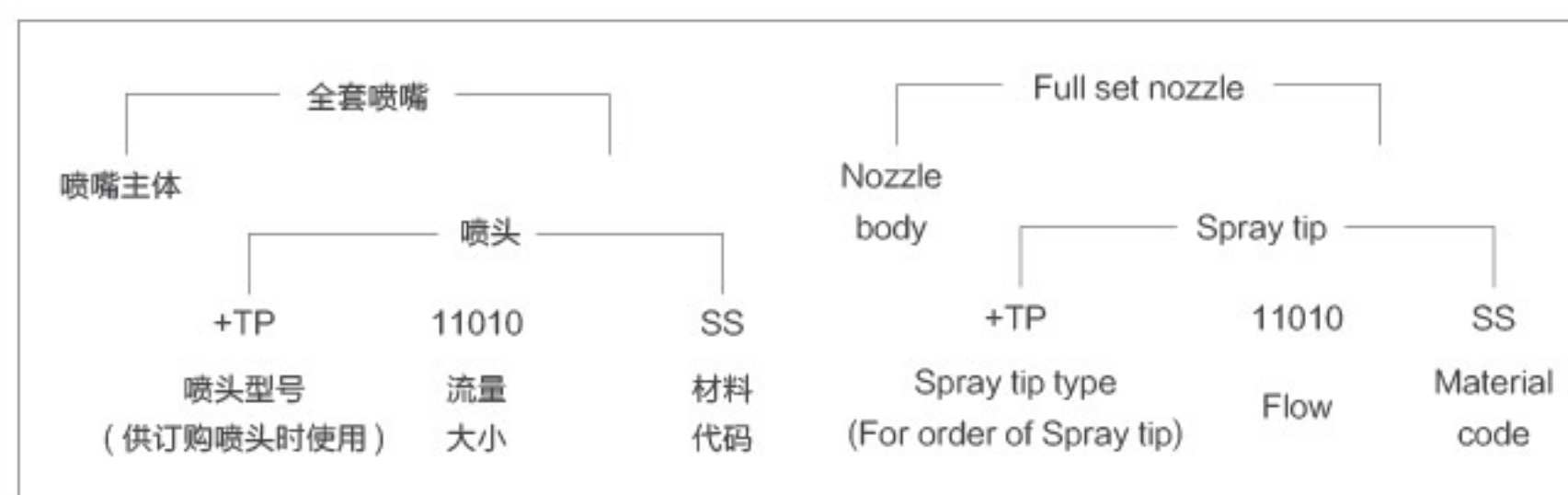
性能数据 Performance Data

| 喷流角度<br>(3巴时)<br>Spray angle<br>at 3 bar | 流量大小<br>Flow | 等效喷嘴<br>孔径<br>Equivalent<br>orifice dia. | 流量 (升/公分) Flow (L/min) |      |      |       |       |       |       |      |       |       |       |        | 喷射角度<br>Spray angle |      |       |     |
|--|--------------|--|------------------------|------|------|-------|-------|-------|-------|------|-------|-------|-------|--------|---------------------|------|-------|-----|
|  |              |  | 0.3bar                 | 1bar | 2bar | 3bar  | 4bar  | 5bar  | 6bar  | 7bar | 10bar | 20bar | 35bar | 1.5bar | 3bar                | 6bar | 14bar |     |
| 15°                                      | 150017       | 0.28                                     |                        |      | 0.05 | 0.06  | 0.07  | 0.08  | 0.09  | 0.10 | 0.12  | 0.17  | 0.23  |        |                     | 15°  | 30°   | 37° |
|  | 150025       | 0.33                                     |                        |      | 0.08 | 0.10  | 0.11  | 0.13  | 0.14  | 0.15 | 0.18  | 0.25  | 0.34  |        |                     | 15°  | 28°   | 34° |
|  | 150033       | 0.38                                     |                        |      | 0.11 | 0.13  | 0.15  | 0.17  | 0.18  | 0.20 | 0.24  | 0.34  | 0.44  |        |                     | 15°  | 27°   | 32° |
|  | 150050       | 0.46                                     |                        |      | 0.16 | 0.20  | 0.23  | 0.25  | 0.28  | 0.30 | 0.36  | 0.51  | 0.67  |        |                     | 15°  | 26°   | 30° |
|  | 150067       | 0.53                                     |                        |      | 0.22 | 0.26  | 0.31  | 0.34  | 0.37  | 0.40 | 0.48  | 0.68  | 0.90  |        |                     | 15°  | 25°   | 29° |
|  | 1501         | 0.66                                     |                        |      | 0.32 | 0.39  | 0.46  | 0.51  | 0.56  | 0.60 | 0.72  | 1.0   | 1.3   |        |                     | 15°  | 24°   | 28° |
|  | 15015        | 0.79                                     |                        |      | 0.48 | 0.59  | 0.68  | 0.76  | 0.84  | 0.90 | 1.1   | 1.5   | 2.0   |        |                     | 15°  | 23°   | 27° |
|  | 1502         | 0.91                                     |                        |      | 0.64 | 0.79  | 0.91  | 1.0   | 1.1   | 1.2  | 1.4   | 2.0   | 2.7   |        | 6°                  | 15°  | 22°   | 27° |
|  | 1503         | 1.1                                      |                        |      | 0.97 | 1.2   | 1.4   | 1.5   | 1.7   | 1.8  | 2.2   | 3.1   | 4.0   |        | 6°                  | 15°  | 22°   | 27° |
|  | 1504         | 1.3                                      |                        |      | 1.3  | 1.6   | 1.8   | 2.0   | 2.2   | 2.4  | 2.9   | 4.1   | 5.4   |        | 7°                  | 15°  | 21°   | 26° |
|  | 1505         | 1.4                                      |                        |      | 1.6  | 2.0   | 2.3   | 2.5   | 2.8   | 3.0  | 3.6   | 5.1   | 6.7   |        | 7°                  | 15°  | 21°   | 26° |
|  | 1506         | 1.6                                      |                        | 1.4  | 1.9  | 2.4   | 2.7   | 3.1   | 3.3   | 3.6  | 4.3   | 6.1   | 8.1   |        | 8°                  | 15°  | 21°   | 26° |
|  | 1508         | 1.8                                      |                        | 1.8  | 2.6  | 3.2   | 3.6   | 4.1   | 4.5   | 4.8  | 5.8   | 8.2   | 10.8  |        | 9°                  | 15°  | 20°   | 25° |
|  | 1510         | 2.0                                      |                        | 2.3  | 3.2  | 3.9   | 4.6   | 5.1   | 5.6   | 6.0  | 7.2   | 10.2  | 13.5  |        | 10°                 | 15°  | 19°   | 24° |
|  | 1515         | 2.4                                      |                        | 3.4  | 4.8  | 5.9   | 6.8   | 7.6   | 8.4   | 9.0  | 10.8  | 15.3  | 20    |        | 10°                 | 15°  | 19°   | 24° |
|  | 1520         | 2.8                                      |                        | 4.6  | 6.5  | 7.9   | 9.1   | 10.2  | 11.2  | 12.1 | 14.4  | 20    | 27    |        | 10°                 | 15°  | 19°   | 23° |
|  | 1530         | 3.6                                      |                        | 6.8  | 9.7  | 11.8  | 13.7  | 15.3  | 16.7  | 18.1 | 22    | 31    | 40    |        | 10°                 | 15°  | 19°   | 21° |
| 1540                                     | 4.0          |  | 9.1                    | 12.9 | 15.8 | 18.2  | 20    | 22    | 24    | 29   | 41    | 54    |       | 10°    | 15°                 | 18°  | 21°   |     |
| 1550                                     | 4.4          |  | 11.4                   | 16.1 | 19.7 | 23    | 25    | 28    | 30    | 36   | 51    | 68    |       | 11°    | 15°                 | 18°  | 21°   |     |
| 1560                                     | 4.8          |  | 13.7                   | 19.3 | 24   | 27    | 31    | 33    | 36    | 43   | 61    | 91    |       | 11°    | 15°                 | 18°  | 21°   |     |
| 1570                                     | 5.2          |  | 16.0                   | 23   | 28   | 32    | 36    | 39    | 42    | 50   | 71    | 94    |       | 11°    | 15°                 | 18°  | 21°   |     |
| 0°                                       | 000009       | 0.20                                     | 0.01                   | 0.02 | 0.03 | 0.035 | 0.04  | 0.045 | 0.05  | 0.06 | 0.07  | 0.09  | 0.12  |        |                     |      |       |     |
|  | 000012       | 0.25                                     | 0.02                   | 0.03 | 0.04 | 0.05  | 0.055 | 0.06  | 0.067 | 0.08 | 0.09  | 0.12  | 0.16  |        |                     |      |       |     |
|  | 000019       | 0.30                                     | 0.02                   | 0.04 | 0.06 | 0.08  | 0.09  | 0.10  | 0.11  | 0.12 | 0.14  | 0.19  | 0.26  |        |                     |      |       |     |
|  | 000021       | 0.34                                     | 0.03                   | 0.05 | 0.07 | 0.08  | 0.10  | 0.11  | 0.15  | 0.13 | 0.15  | 0.21  | 0.28  |        |                     |      |       |     |
|  | 000050       | 0.51                                     | 0.06                   | 0.11 | 0.16 | 0.20  | 0.23  | 0.25  | 0.28  | 0.30 | 0.36  | 0.51  | 0.67  |        |                     |      |       |     |
|  | 000067       | 0.58                                     | 0.08                   | 0.15 | 0.22 | 0.26  | 0.31  | 0.34  | 0.37  | 0.40 | 0.48  | 0.68  | 0.90  |        |                     |      |       |     |
|  | 0001         | 0.71                                     | 0.12                   | 0.23 | 0.32 | 0.39  | 0.46  | 0.51  | 0.56  | 0.60 | 0.72  | 1.0   | 1.3   |        |                     |      |       |     |
|  | 00015        | 0.84                                     | 0.19                   | 0.37 | 0.48 | 0.59  | 0.68  | 0.76  | 0.84  | 0.91 | 1.1   | 1.5   | 2.0   |        |                     |      |       |     |
|  | 0002         | 0.99                                     | 0.25                   | 0.46 | 0.64 | 0.79  | 0.91  | 1.0   | 1.1   | 1.2  | 1.4   | 2.0   | 2.7   |        |                     |      |       |     |
|  | 0003         | 1.2                                      | 0.37                   | 0.68 | 0.97 | 1.2   | 1.4   | 1.5   | 1.7   | 1.8  | 2.2   | 3.1   | 4.0   |        |                     |      |       |     |
|  | 0004         | 1.4                                      | 0.50                   | 0.91 | 1.3  | 1.6   | 1.8   | 2.0   | 2.2   | 2.4  | 2.9   | 4.1   | 5.4   |        |                     |      |       |     |
|  | 0005         | 1.5                                      | 0.62                   | 1.1  | 1.6  | 2.0   | 2.3   | 2.5   | 2.8   | 3.0  | 3.6   | 5.1   | 6.7   |        |                     |      |       |     |
|  | 0006         | 1.7                                      | 0.72                   | 1.4  | 1.9  | 2.4   | 2.7   | 3.1   | 3.3   | 3.6  | 4.3   | 6.1   | 8.1   |        |                     |      |       |     |
|  | 0008         | 2.0                                      | 1.0                    | 1.8  | 2.6  | 3.2   | 3.6   | 4.1   | 4.5   | 4.8  | 5.8   | 8.2   | 10.8  |        |                     |      |       |     |
|  | 0010         | 2.2                                      | 1.2                    | 2.3  | 3.2  | 3.9   | 4.6   | 5.1   | 5.6   | 6.0  | 7.2   | 10.2  | 13.5  |        |                     |      |       |     |
|  | 0015         | 2.7                                      | 1.9                    | 3.4  | 4.8  | 5.9   | 6.8   | 7.6   | 8.4   | 9.0  | 10.8  | 15.3  | 20    |        |                     |      |       |     |
|  | 0020         | 3.2                                      | 2.5                    | 4.6  | 6.5  | 7.9   | 9.1   | 10.2  | 11.2  | 12.1 | 14.4  | 20    | 27    |        |                     |      |       |     |
| 0030                                     | 3.6          | 3.7                                      | 6.8                    | 9.7  | 11.8 | 13.7  | 15.3  | 16.7  | 18.1  | 22   | 31    | 40    |       |        |                     |      |       |     |
| 0040                                     | 4.0          | 5.0                                      | 9.1                    | 12.9 | 15.8 | 18.2  | 20    | 22    | 24    | 29   | 41    | 54    |       |        |                     |      |       |     |

0°  
液柱流

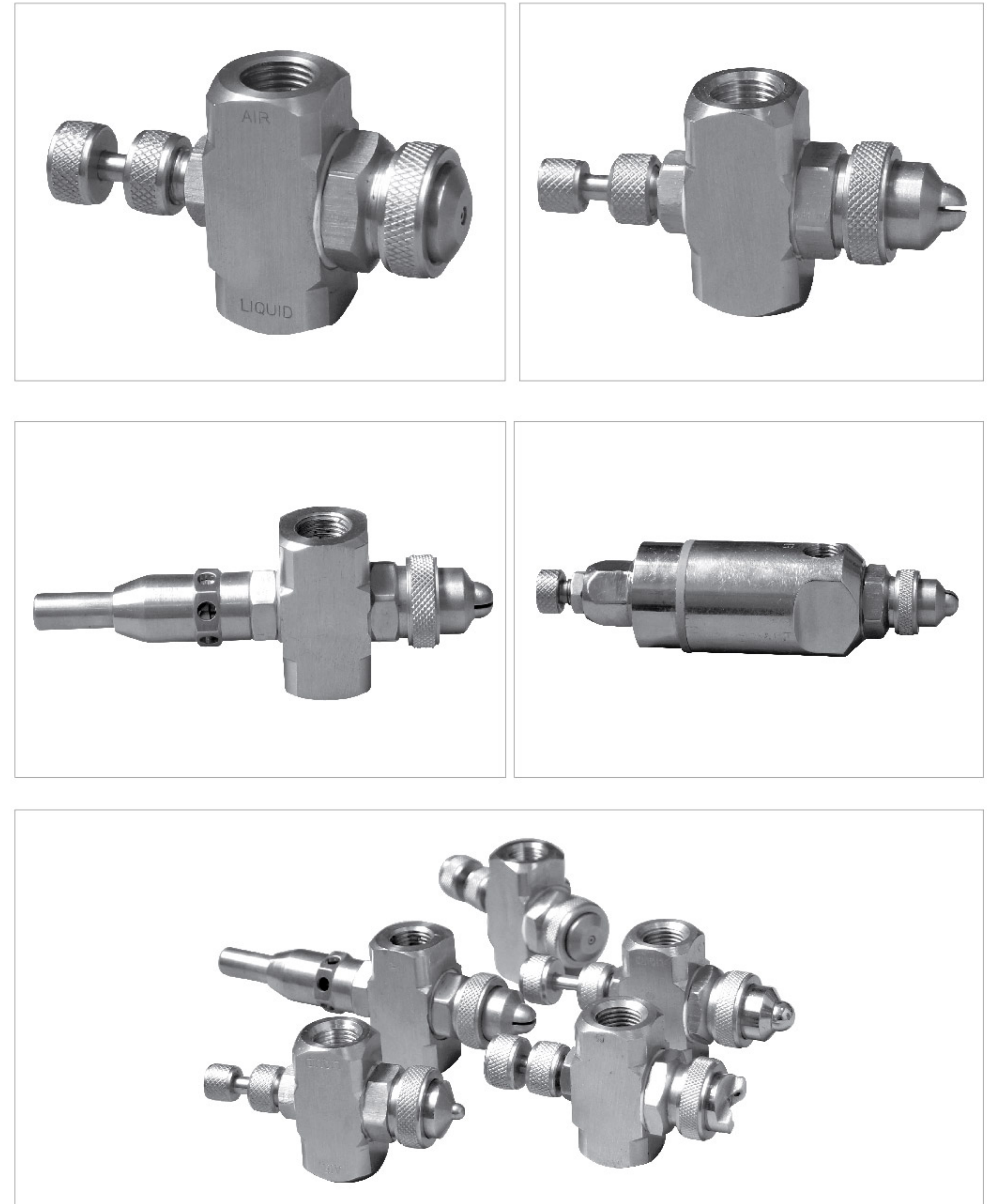


订购信息 Order information



滤网眼选择指导 Screen mesh choice guide

| 等效喷嘴孔径<br>Equivalent orifice dia | 建议滤网眼尺寸<br>Suggested Screen mesh size |
|----------------------------------|---------------------------------------|
| 不超过 46 毫米<br>Less than 46mm      | 200                                   |
| 47 至 79 毫米<br>47-49mm            | 100                                   |
| 80 毫米及更大<br>More than 80mm       | 50                                    |





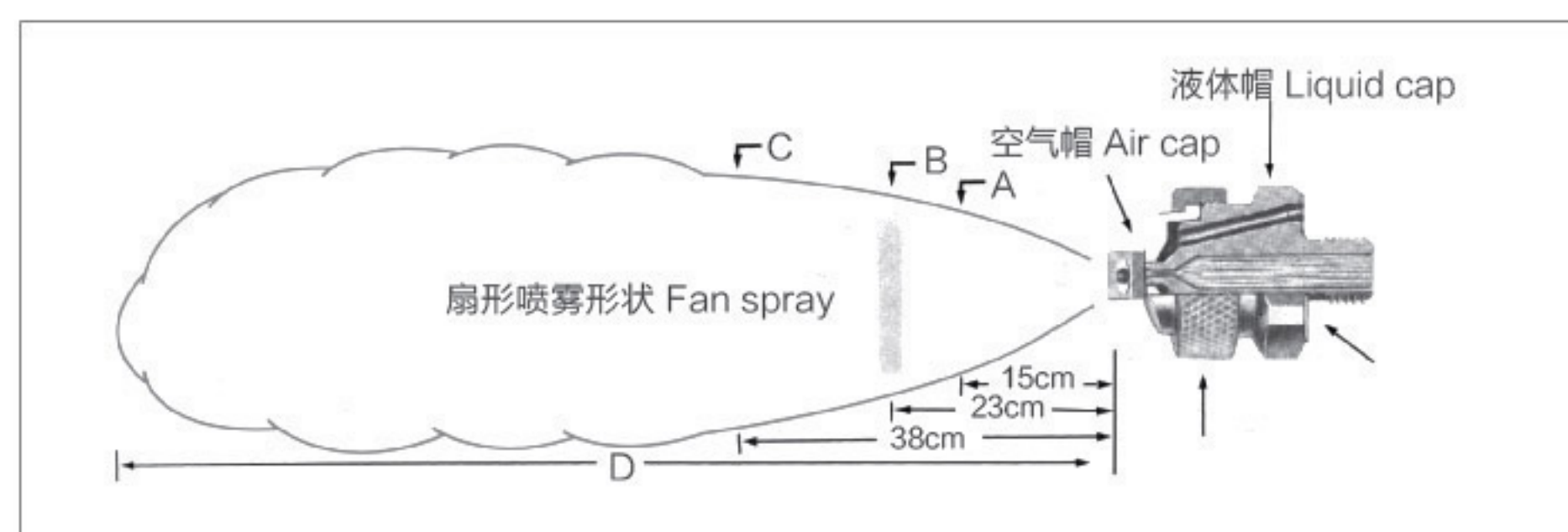




设计特点 Design Feature

通过外部混合装置改变气体压力而不改变液体率来控制变化。对于扇形喷雾, 尺寸“A”、“B”、“C”是离喷嘴相应距离处的流型宽度, 如图所示。喷雾从喷嘴喷射到最大强点的总距离为“D”。在使用压力液体系统时, 液体由压力输送喷嘴。液体和压缩气体或气体在外部混合, 以产生完全雾化的喷雾。

To control the changes by external mix to change gas pressure without liquid flow. For flat fan spray, dimensions "A" "B" and "C" are the pattern width at distance from the nozzle, as shown in picture. The total spray distance of spray projection from the nozzle to the maximum dispersal point is represented by "D". When using a pressure-fed liquid system, the liquid is supplied to the nozzle under pressure. The liquid and compressed air or gas are mixed externally to produce a completely atomized spray.



注: 1158 号护圈和 3612 号密封垫片必须与喷雾装置分开订购, 但是包括在标准喷嘴组件中。关于订购信息见 D3 页。 Remark: No. 1158 retainer and 3612 gasket must be ordered separately from the spray set-up. But is included in the standard nozzle assembly.

扇形喷雾 Flat fan spray

Table with columns for spray set-up No., spray set-up (air cap and liquid cap combination), liquid capacity (L/h) and air capacity (L/min) at various pressures (0.2bar, 0.3bar, 0.7bar, 1.5bar, 4bar), and spray size (A, B, C, D in cm and m).

扇形喷雾(外部混合)-续表 Flat fan spray(External mix)

Continuation of the spray performance table, listing various spray set-up configurations (e.g., SUE25B, SUE28B, SUE25A, SUE28A, SUE28, SUE25, SUE45B, SUE45A, SUE45) with their respective parameters.





设计特点 Design Feature

微细雾化喷嘴只采用液体压力来产生非常细小的液滴, 喷雾形状成均匀的空心锥形, 通常能获得湿雾效果。所以的零件都是精密制造的。喷嘴嵌体、芯子和过滤器都易于拆卸作检查或清洗。以上喷嘴都装有过滤器。

Super-fine jet nozzle only use liquid pressure to produce tiny drops. Spray shape is uniform hollow cone, which can bring fog. All parts are percision crafted. Spray orifice inlay, core and filter are easy to be detached to maintain or clean. The above nozzles all are with filters.

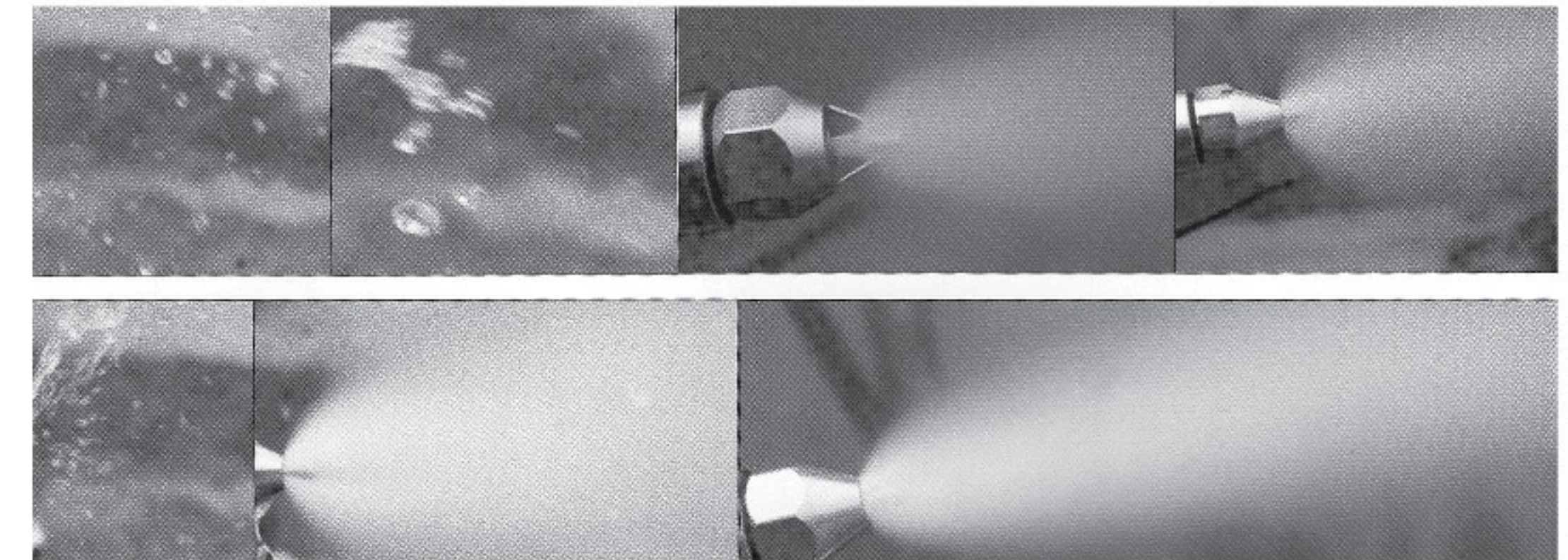
性能数据 Performance Data

| AAZ-W        | AAZ-N        | AAZ-M        | 额定喷嘴口径<br>Rated Spray<br>orifice Dia.<br>(mm) | 芯号<br>Core No. | 流量 (升/时) Flow rate(L/h) |      |       |       |       |       |       |       |       |      | 喷射角度<br>Spray angle |       |     |
|--------------|--------------|--------------|---|----------------|-------------------------|------|-------|-------|-------|-------|-------|-------|-------|------|---------------------|-------|-----|
|              |              |              |   |                | 2bar                    | 5bar | 10bar | 15bar | 20bar | 30bar | 40bar | 50bar | 70bar | 3bar | 6bar                | 20bar |     |
| 1/4AAZ-W0.60 | 1/4AAZ-N0.60 | 1/4AAZ-M0.60 | 0.41  | 206            |                         |      | 4.3   | 5.3   | 6.1   | 7.5   | 8.6   | 9.7   | 11.4  |      |                     | 35°   | 65° |
| 1/4AAZ-W1    | 1/4AAZ-N1    | 1/4AAZ-M1    | 0.51  | 210            |                         | 5.1  | 7.2   | 8.8   | 10.2  | 12.5  | 14.4  | 16.1  | 19.1  | 45°  | 62°                 | 72°   |     |
| 1/4AAZ-W1.5  | 1/4AAZ-N1.5  | 1/4AAZ-M1.5  | 0.51  | 216            | 4.8                     | 7.6  | 10.8  | 13.2  | 15.3  | 18.7  | 22    | 24    | 29    | 65°  | 70°                 | 72°   |     |
| 1/4AAZ-W2    | 1/4AAZ-N2    | 1/4AAZ-M2    | 0.71  | 216            | 6.4                     | 10.2 | 14.4  | 17.7  | 20    | 25    | 29    | 32    | 38    | 70°  | 75°                 | 77°   |     |
| 1/4AAZ-W3    | 1/4AAZ-N3    | 1/4AAZ-M3    | 0.71  | 220            | 9.7                     | 15.3 | 22    | 26    | 31    | 37    | 43    | 48    | 57    | 65°  | 70°                 | 73°   |     |
| 1/4AAZ-W4    | 1/4AAZ-N4    | 1/4AAZ-M4    | 1.1   | 220            | 12.9                    | 20   | 29    | 35    | 41    | 50    | 58    | 64    | 76    | 72°  | 81°                 | 84°   |     |
| 1/4AAZ-W6    | 1/4AAZ-N6    | 1/4AAZ-M6    | 1.1   | 225            | 19.3                    | 31   | 43    | 53    | 61    | 75    | 86    | 97    | 114   | 73°  | 79°                 | 81°   |     |
| 1/4AAZ-W8    | 1/4AAZ-N8    | 1/4AAZ-M8    | 1.5   | 225            | 26                      | 41   | 58    | 71    | 82    | 100   | 115   | 129   | 153   | 85°  | 89°                 | 91°   |     |
| 1/4AAZ-W10   | 1/4AAZ-N10   | 1/4AAZ-M10   | 1.6   | 420            | 32                      | 51   | 72    | 88    | 102   | 125   | 144   | 161   | 191   | 82°  | 84°                 | 86°   |     |
| 1/4AAZ-W12   | 1/4AAZ-N12   | 1/4AAZ-M12   | 1.9   | 420            | 39                      | 61   | 86    | 106   | 122   | 150   | 173   | 193   | 230   | 78°  | 82°                 | 85°   |     |
| 1/4AAZ-W14   | 1/4AAZ-N14   | 1/4AAZ-M14   | 1.9   | 421            | 45                      | 71   | 101   | 124   | 143   | 175   | 200   | 225   | 265   | 85°  | 88°                 | 90°   |     |
| 1/4AAZ-W18   | 1/4AAZ-N18   | 1/4AAZ-M18   | 1.9   | 422            | 58                      | 92   | 130   | 159   | 183   | 225   | 260   | 290   | 345   | 81°  | 84°                 | 86°   |     |
| 1/4AAZ-W22   | 1/4AAZ-N22   | 1/4AAZ-M22   | 1.9   | 625            | 71                      | 112  | 159   | 194   | 225   | 275   | 320   | 355   | 420   | 70°  | 72°                 | 75°   |     |
| 1/4AAZ-W26   | 1/4AAZ-N26   | 1/4AAZ-M26   | 2.2   | 625            | 84                      | 133  | 187   | 230   | 265   | 325   | 375   | 420   | 495   | 73°  | 74°                 | 77°   |     |

一般应用 Common Application

- 加热: 气控室内加热 ● Humidifying
- 冷却: 气体、金属等 ● Cooling
- 散步: 药液 ● Spreading
- 调湿 ● Water Conditioning
- 蒸发冷却 ● Evaporative cooling

订购资料 Order information



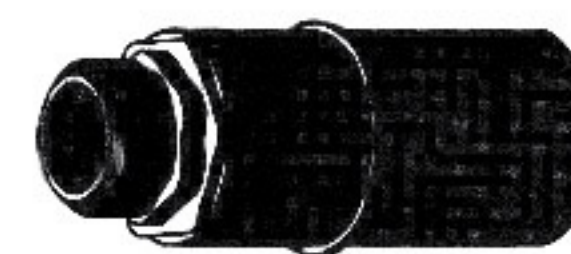
核心产品 Core Products



| 类别 Categories                 | ADG SK508 nozzles 80° | ADG SV980 nozzles 30° | ADG SV882 nozzles 60° |
|-------------------------------|-----------------------|-----------------------|-----------------------|
| 气体压力 Gas pressure             | 5.2bar                | 3.5bar                | 5.2bar                |
| 水压力 Water pressure            | 1.5bar                | 0.6bar                | 1.2bar                |
| 气体消耗 Gas consumption          | 115L/Min              | 260L/Min              | 240L/Min              |
| 水量消耗 Water consumption        | 7.1L/Hr               | 45L/Hr                | 20L/Hr                |
| 雾化颗粒度 Atomizing granularity   | 3-6microns            | 4-10microns           | 7-10microns           |
| 气体过滤要求 Gas filtration demand  | < 40microns           | < 40microns           | < 40microns           |
| 水过滤要求 Water filtration demand | < 50microns           | < 50microns           | < 50microns           |

配件 Fittings

保温性喷头座 7785 Q235  
Heat preservation spray tip holder

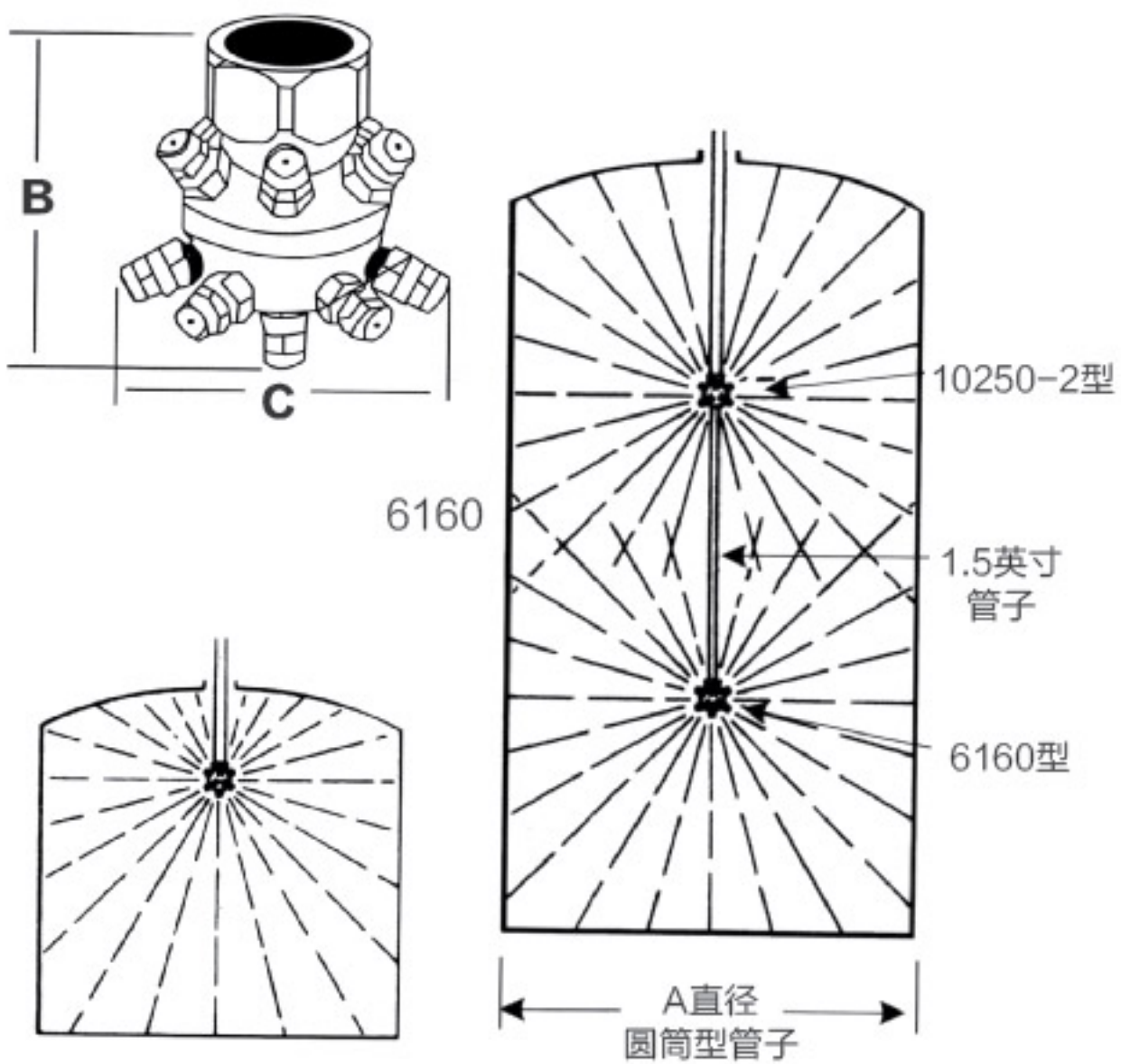


配套万向安装支架 8983 Q235  
Universal installing bracket fittings





**设计特点 Design Feature**

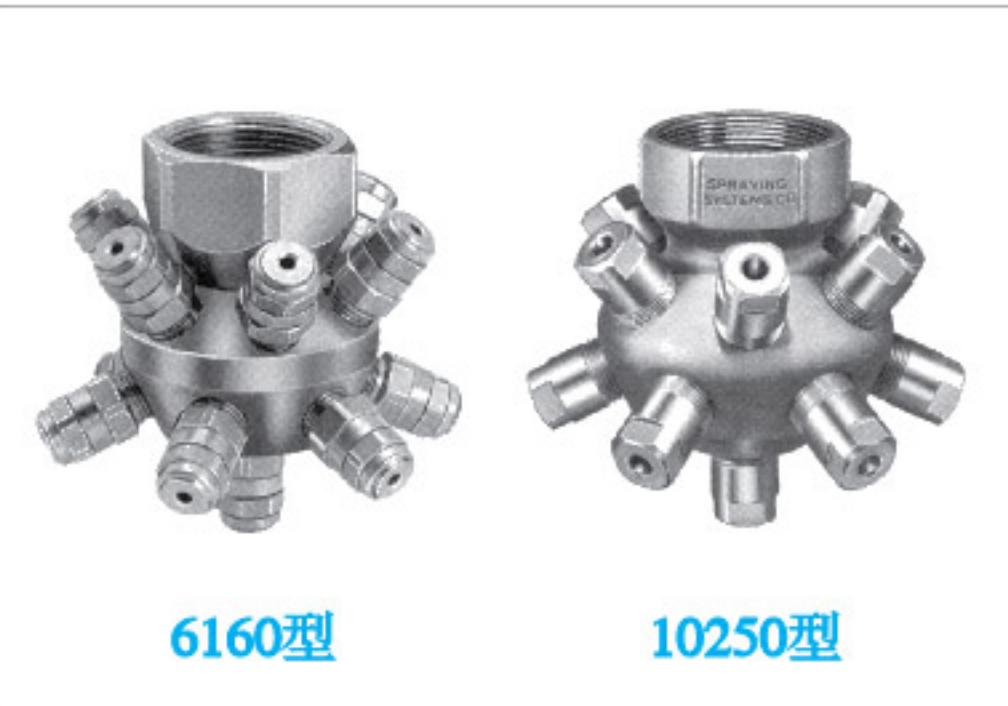


这两种型号都有 13 个实心锥喷嘴,可以喷射到罐子的所有内表面,压力直到 4 巴。制造材料分黄铜和 316 不锈钢两种。  
6160 型喷嘴组件的特点是流量大,可清洗直径达 3.1 米的罐子。利用 1/4 英寸或 3/8 英寸实心锥喷嘴可以改变流量。6160 型可以通过直径 130 毫米或更大的罐扣。  
10250-1 型喷嘴组件可提供特别大的液体流量,用来清洗直径直到 6.7 米的大罐子。利用 1/2 英寸, 3/4 英寸或 1 英寸的实心锥喷嘴可以改变流量。10250-1 型喷嘴组件可以通过直径为 230 毫米的罐子开口。对于深罐, 10250-2 型是具有 1.5 英寸的端部出口连接, 用于连接加长管和 6160 型喷嘴组件。

These two styles both have 13 pcs of full cone nozzle, which can eject to reach all inner surface. Pressure can reach 4 bar. Material is brass and 316 stainless steel.  
Nozzle 6160 model's character is large capacity. It can clean the tank which is 3.1 meters. To use full cone nozzles with dimension at 1/4" and 3/8" can change the flow rate. Model 6160 can get through the tank opening with dia. 130mm or more.  
Model 10250-1 nozzle components can provide very big liquid capacity to clean the big tank with diameter at 6.7 meters. To use full cone nozzles with dimension at 1/2", 3/4" or 1" can change the flow rate. Model 10250-1 nozzle components can get through the tank opening with dia. 230mm or more. For deep tank, Model 10250-2 with 1.5" end outlet connector, which can be used to connect extension pipe and model 6160 components.

**性能数据 Performance Data**

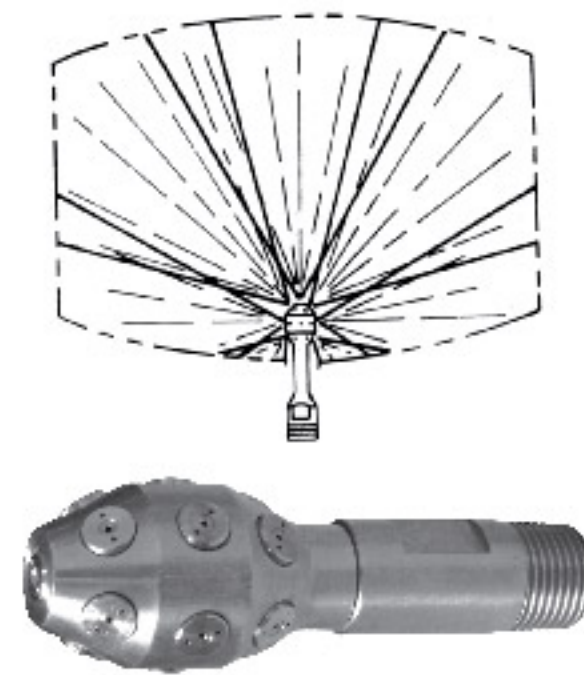
| 管子尺寸<br>Pipe dimension<br>NPT or<br>BSPT<br>(female) | 喷嘴头订购号<br>Spray tip<br>order No. | 不同压力下的流量 (升/分) 和最大罐子尺寸近似值<br>The flow rate (L/min) at different pressure and max. tank size approximation |                         |              |                         |              |                         |              |                         | 罐子直径<br>Tank dia A (mm) | 尺寸<br>Dimension     |                       |
|--|----------------------------------|---|-------------------------|--------------|-------------------------|--------------|-------------------------|--------------|-------------------------|-------------------------|---------------------|-----------------------|
|  |                                  | 1.5bar  |                         | 2bar         |                         | 3bar         |                         | 3.5bar       |                         |                         | 高度<br>Height B (mm) | 直径<br>Diameter C (mm) |
|  |                                  | 升/分<br>L/min  | 罐子直径<br>Tank dia A (mm) | 升/分<br>L/min | 罐子直径<br>Tank dia A (mm) | 升/分<br>L/min | 罐子直径<br>Tank dia A (mm) | 升/分<br>L/min | 罐子直径<br>Tank dia A (mm) |                         |                     |                       |
| 3英寸  | 1025-1-1/2                       | 280   | 3.0                     | 320          | 3.5                     | 390          | 3.5                     | 415          | 4.0                     | 166                     | 191                 |                       |
|  | 10250-1-3/4                      | 580   | 3.5                     | 660          | 4.0                     | 800          | 4.5                     | 860          | 5.0                     | 174                     | 210                 |                       |
|  | 10250-1-1                        | 1000  | 4.0                     | 1130         | 5.0                     | 1370         | 6.0                     | 1470         | 6.5                     | 183                     | 229                 |                       |
| 1/2英寸  | 6160-1/4GG5                      | 35  | 40                      | 48           | 48                      | 52           | 52                      | 52           | 1.2                     | 114                     | 114                 |                       |
|  | 6160-1/4GG10                     | 70  | 80                      | 97           | 97                      | 104          | 104                     | 104          | 2.1                     | 114                     | 114                 |                       |
|  | 6160-3/8GG22                     | 155   | 177                     | 215          | 215                     | 230          | 230                     | 230          | 3.0                     | 121                     | 127                 |                       |



**设计特点 Design Feature**

9800 型清洗喷嘴是特别为有效洗净小容器而设计的。这种型号的喷嘴可以选择 15 个或 21 个实心锥喷头,可以喷射到全部内表面,压力可达 10 巴。  
9800 型的设计能够通过一处标准的小桶桶口。安装在自动小桶洗涤剂上。最大的喷头直径为 35 毫米,带有一个 16 毫米的缩颈,清洗时可以排水。不锈钢结构提供了最大的耐腐蚀性能。

Model 9800 washing nozzle is specially designed for small tank. For this nozzle, 15 and 21 pieces of full cone spray tips are for choices, which can spray to all the inner surface. Pressure can reach 10 bar. Model 9800 is designed to pass through a standard small tank opening to be installed on small automatic washer. The largest spray tip diameter is 35mm with a 16mm of necking for water draining. The stainless steel structure provide maximum corrosion resistance.



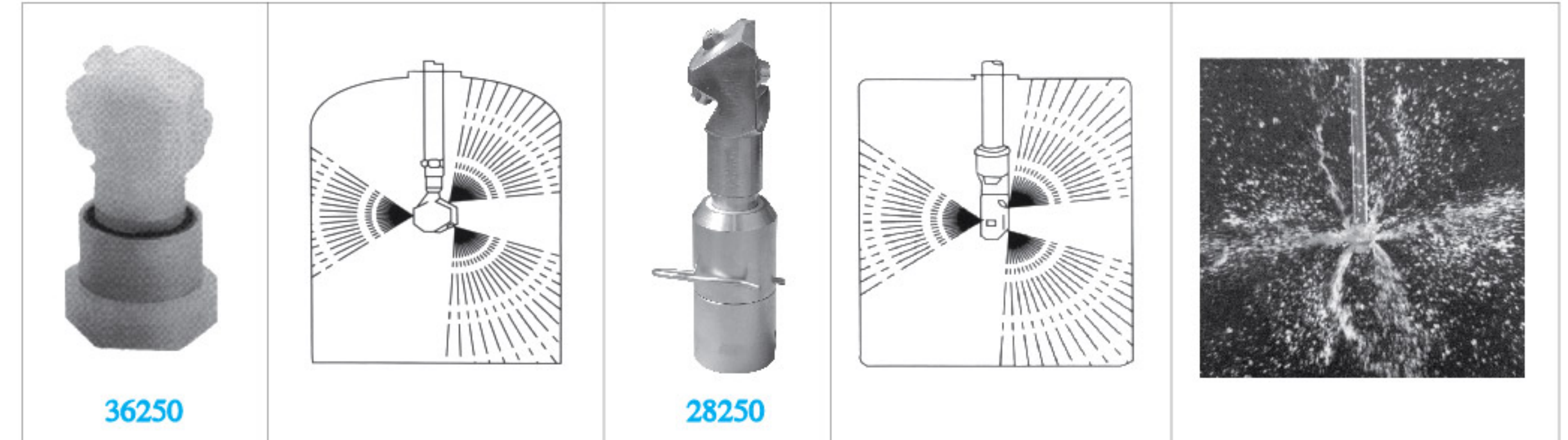
**性能数据 Performance Data**

| 喷嘴订购号<br>Nozzle order No. | 流量 (升/分) Flow rate (L/min) |      |      |      |      |      |      |       |
|---------------------------|----------------------------|------|------|------|------|------|------|-------|
|                           | 1bar                       | 2bar | 3bar | 4bar | 5bar | 6bar | 7bar | 10bar |
| 9800-15-SS                | -                          | -    | -    | 20   | 23   | 25   | 26   | 31    |
| 9800-21-SS                | -                          | -    | -    | 28   | 31   | 34   | 36   | 43    |

**一般应用 Common Application**

- 洗浆箱消泡
- 浆池清洗
- Defoaming
- Cleaning

**设计特点 Design Feature**



36250 型和紧凑型旋转清洗喷嘴都具有如下特点:

三个高压扇形喷嘴安装在旋转喷头上,清洗液体的流动驱动旋转喷头转动。这些喷头经过精确定位,对于所有内部表面都完全在喷射轨道覆盖范围之内。因此,两种型号的喷嘴都可对小瓶灌提供有效的内部清洗。36250 型喷嘴主体用抗强腐蚀性工程塑料制造,轴承和轴承卡簧是用硬化不锈钢制造;以达到的最大磨损寿命,实现高压清洗,压力可达 5 巴。28250 紧凑型喷嘴可通过直径 42 毫米的开口,较低流量扇形喷嘴对于清洗小容器(如筒)效果最佳。喷嘴主体是用 216 不锈钢制造,以达到的最大磨损寿命,实现高压清洗,压力可达 7 巴。

36250 and 28250 compact type rotating cleaning nozzle has features as follows:

3 high pressure fan nozzle are installed on Rotating spray tips, the flow of cleaning liquid makes the spray tip revolve. These tips are precisely positioned, all are in the coverage of spraying orbit. Both styles of nozzle can provide effective cleaning for small bottles. 36250 nozzle body made of strong corrosion resistance plastic, bearing and bearing snap spring are made from hardened stainless steel, in order to reach max. wear life and high pressure cleaning. Pressure can provide reach 5 bar. 28250 compact nozzle can provide effective cleaning for small vessel through fan spray tip which is 42mm dia with low flow. Nozzle body is made from 316 stainless steel, in order to reach max. wear life and high pressure cleaning. Pressure can reach 5 bar.

**性能数据 Performance Data**

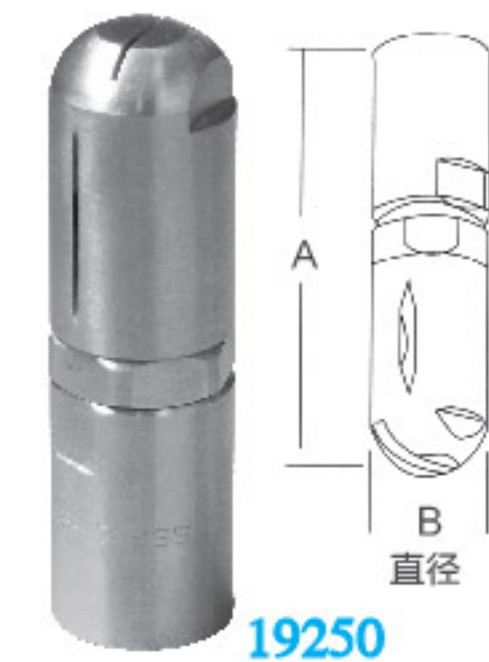
| 喷嘴订购号<br>Nozzle order No. | 流量 (升/分) Flow rate (L/min) |        |      |        |      |      |
|---------------------------|----------------------------|--------|------|--------|------|------|
|                           | 1bar                       | 1.5bar | 2bar | 2.5bar | 3bar | 4bar |
| 36250-STCN16-PP           | 40                         | 59     | 68   | 76     | 84   | 94   |
| 36250-STCN18-PP           | 101                        | 121    | 140  | 159    | 179  | 201  |
| 28250-STCN27-316SS        | 22                         | 27     | 32   | 38     | 43   | 49   |
| 28250-STCN29-316SS        | 40                         | 48     | 55   | 62     | 70   | 79   |

| 喷嘴号<br>Nozzle No. | 管接头 NPT 或 BSPT (内)<br>Pipe connector NPT or BSPT (female) | A (mm) | B (mm) | C (mm) | 六角形<br>Hex angle (mm) | 净重 N.W<br>(kg) |
|-------------------|---|--------|--------|--------|-----------------------|----------------|
|                   |   |        |        |        |                       |                |
| 36250-            | 3/4 英寸  | 145    | 115    | 85     | 75                    | 0.55           |
| 28250-            | 3/4 英寸  | 122    | 100    | 56     | 44.5                  | 0.68           |

**设计特点 Design Feature**

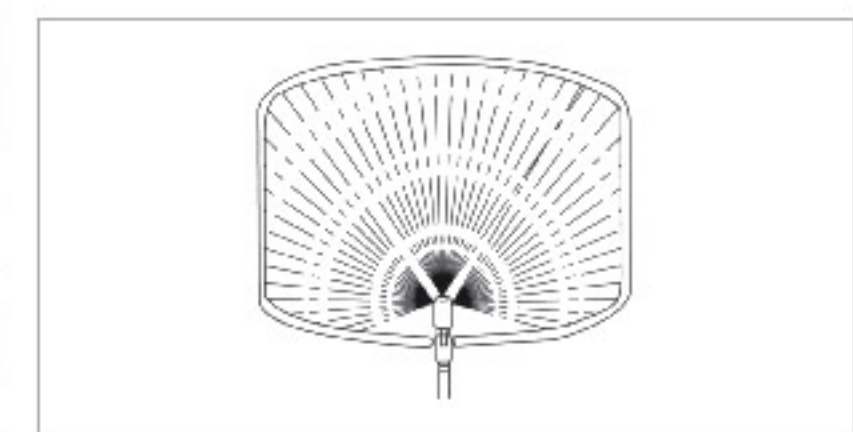
19250 紧凑型喷嘴可通过直径 25 毫米的孔、两个扇形喷头口的特殊位置使其产生自转动力,提供侧面喷射。在 19250 型上加了一个顶部开口,提供完整球面的喷射覆盖。喷嘴材料是 316 不锈钢,轴承和轴承圈是硬化不锈钢制造的,以达到的最大磨损寿命。最大操作压力为 13 巴,耐热最高温 180℃。

19250 compact nozzle can generate Automatic rotating force and provide side face spray through dia. 25mm hole and the special position of the opening of two fan shape spray tips. The material of nozzle is 316 stainless steel. Bearing and bearing snap spring are made from hardened stainless steel in order to reach max. wear life. The max operating pressure is 13 bar and max heat-resistance temperature is 180℃.



**性能数据 Performance Data**

| 喷嘴订购号<br>Nozzle order No. | 流量 (升/分) Flow rate (L/min) |      |      |      |      |      |       |       |
|---------------------------|----------------------------|------|------|------|------|------|-------|-------|
|                           | 1.5bar                     | 3bar | 4bar | 5bar | 6bar | 8bar | 10bar | 12bar |
| 19250-STCN5-316SS         | 14.0                       | 19.7 | 23   | 25   | 28   | 32   | 36    | 39    |
| 19250-STCN6-316SS         | 15.9                       | 22   | 26   | 29   | 32   | 37   | 41    | 45    |
| 19250-STCN7-316SS         | 19.5                       | 28   | 32   | 36   | 39   | 45   | 50    | 55    |
| 19250-STCN8-316SS         | 22                         | 32   | 36   | 41   | 45   | 52   | 58    | 63    |
| 19250-STCN9-316SS         | 28                         | 39   | 46   | 51   | 56   | 64   | 72    | 79    |



**订购信息 Order information**

以上四种型号的旋转清洗瓶罐喷嘴均可采用优质黄铜制造材料。如有意订购,请您在订单上特别注明。  
The above 4 kinds of rotary bottle washing nozzles can be made from high quality brass if you want to order, please make remark specially.

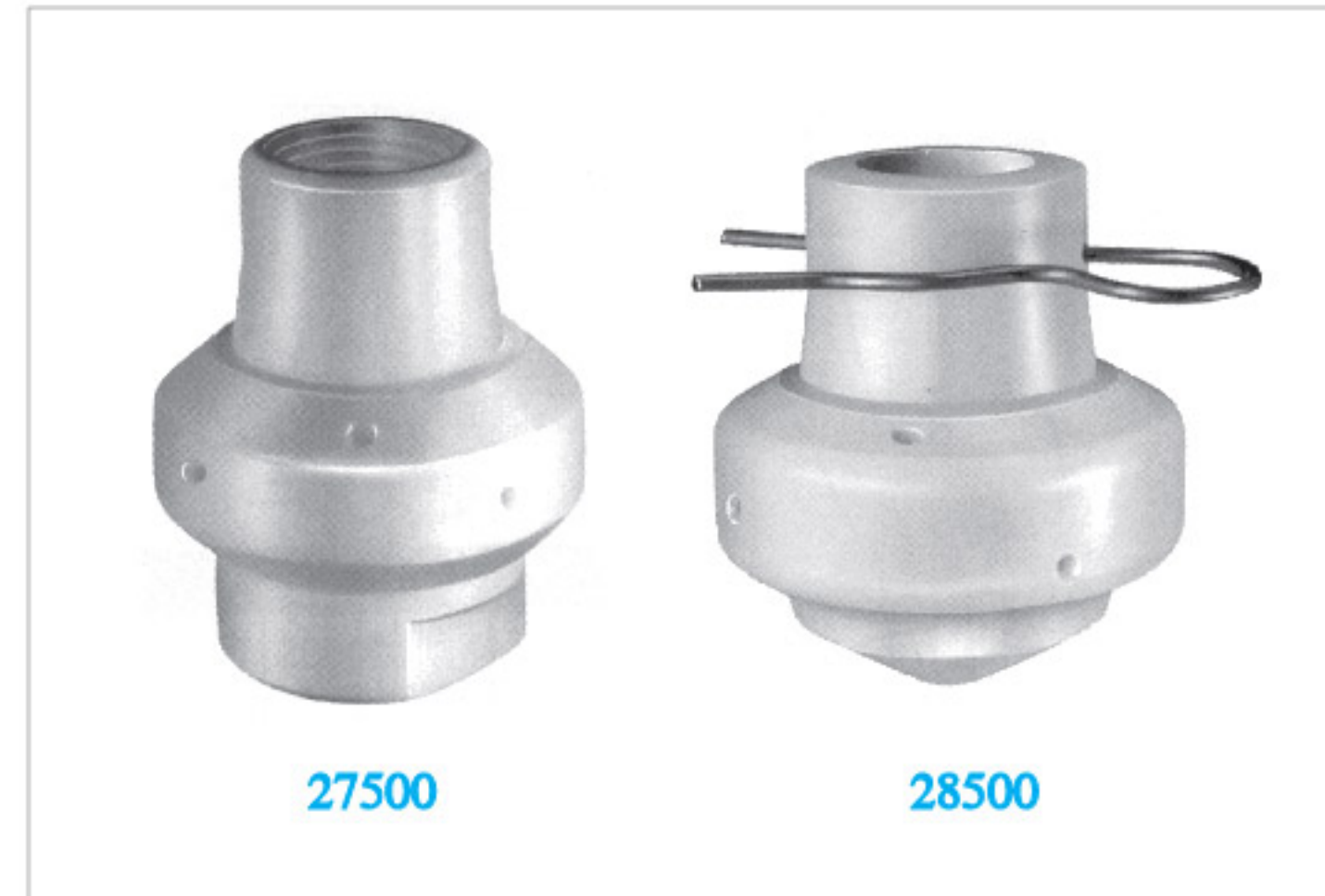
设计特点 Design Feature

27500 型 TEFLON 聚四氟乙烯旋转罐子清洗喷嘴在低压清洗 / 洗涤应用方面提供了新的性能范围和多样性。喷嘴由美国食品药品监督管理局批准的材料构成, 这种材料具有抗腐蚀和抗化学的作用。双体喷嘴的特点是由喷射溶液流的压力驱动旋转。没有外部的马达和齿轮。紧凑型喷嘴产生有效的液柱流喷射, 可以在 0.7-3 巴的压力下工作。有五种喷嘴尺寸, 带有 NPT 和 BSPT 螺纹入口, 可接受 1/2 英寸, 3/4 英寸, 1 英寸, 2 英寸和 3 英寸的供液管。喷嘴的多孔配置可从 180° 到 360° 以 5 种喷射圆形中的任何一种提供特别的覆盖范围 ( 参考附图 )。流率范围从 15 升 / 分到 1480 升 / 分。若需全面的有关流率的数据, 请参考 24500-1/2M, 27500-3/4M, 27500-1M, 27500-2M 和 27500-3M 数据单。

Model 27500 rotating tank washing nozzle provide new performance and diversity on low pressure cleaning. Nozzle is made of the material which approved by U.S.A TFDA. This material has strong corrosion resistance and chemical Resistance. Two-body nozzle's character is to drive rotating by the pressure of spraying fluid, without external motor and gear. Compact type nozzle produce effective liquid column injection, which can work at 0.7-3bar pressure. There are five nozzle dimensions, with NPT or BSPT thread inlet. 1/2", 3/4", 1", 2", 3" feed pipe are acceptable. Nozzle's porous configuration range from 180° to 360°, to provide special coverage by anyone among 5 round spray. Flow rata range from 15L/min to 1480L/min.

性能数据 Performance Data

| 喷嘴订购序号<br>Nozz order No. | 流量 (升 / 分) Flow rate (L/min) |        |      |      |        |
|--------------------------|------------------------------|--------|------|------|--------|
|                          | 0.7bar                       | 1.5bar | 2bar | 3bar | 3.5bar |
| 27500(A至E) 1/2-8-TEF     | 15.3                         | 22     | 26   | 32   | 34     |
| 27500(A至E) 3/4-18-TEF    | 34                           | 50     | 58   | 71   | 77     |
| 27500(A至E) 3/4-32-TEF    | 61                           | 89     | 103  | 126  | 136    |
| 27500(A至E) 3/4-46-TEF    | 88                           | 130    | 148  | 182  | 196    |
| 27500(A至E) 1-50-TEF      | 98                           | 140    | 161  | 197  | 215    |
| 27500(A至E) 1-70-TEF      | 133                          | 195    | 225  | 275  | 300    |
| 27500(A至E) 1-90-TEF      | 172                          | 250    | 290  | 355  | 385    |
| 27500(A至E) 2-100-TEF     | 191                          | 280    | 320  | 395  | 425    |
| 27500(A至E) 2-125-TEF     | 240                          | 350    | 400  | 495  | 530    |
| 27500(A至E) 2-150-TEF     | 285                          | 420    | 480  | 590  | 640    |
| 27500(A至E) 2-175-TEF     | 335                          | 490    | 560  | 690  | 745    |
| 27500(A至E) 2-200-TEF     | 380                          | 560    | 645  | 790  | 850    |
| 27500(A至E) 3-250-TEF     | 475                          | 700    | 805  | 985  | 1065   |
| 27500(A至E) 3-300-TEF     | 570                          | 840    | 965  | 1180 | 1280   |
| 27500(A至E) 3-350-TEF     | 665                          | 975    | 1130 | 1380 | 1490   |



建议最佳工作压力范围为 1.5 巴至 3 巴  
Suggestion: The best working pressure range is 1.5bar to 3 bar.

设计特点 Design Feature

新推出的 28500 型罐子洗涤喷嘴是为卫生方面的应用而设计制造的, 喷嘴是不锈钢销钉连接安装在入口管上。用美国食品药品监督管理局批准 TEFLON 聚四氟乙烯材料制造。喷嘴底部的倾斜形状有助于垂直向下位置时的自排。

28500 型喷嘴可接纳 3/4 英寸, 1 英寸和 1-1/2 英寸尺寸的罐子。3/4 英寸尺寸的流率为 87 升 / 分, 1 英寸的流率是 125 升 / 分, 而 1-1/2 英寸是 201 升 / 分。喷嘴对于被清洗的容器内表面提供了完整的洗净盖范围, 请函索 28500 数据单。

New model 28500 tank washing nozzle is designed for sanitation application. Nozzle is installed on inlet pipe through stainless steel dowel. Material is TEFLON approved by U.S.A TFDA. The tilted shape of nozzle helps automatic at vertical position.

Model 28500 can be used for 3/4", 1" and 1-1/2" tank. Flow rate is 87L/min for 3/4", 125L/min for 1" and 201L/min for 1-1/2".

Nozzle provide complete cleaning for the inner surface of tank.

| 覆盖类型<br>Cover type | 喷流角度<br>Spray angle | 覆盖类型<br>Cover type | 喷流角度<br>Spray angle |
|--------------------|---------------------|--------------------|---------------------|
|                    | 180°                |                    | 270°                |
|                    | 180°                |                    | 270°                |
|                    | 180°                |                    | 270°                |

|   |   |   |
|---|---|---|
|   |   |   |
| <b>19124/B1/4PT型</b><br>普通不锈钢<br>ordinary stainless steel   | <b>B1/4PTL型</b><br>加长型普通不锈钢型<br>long type stainless steel     | <b>B1/4PT-SSCER</b><br>标准型陶瓷嵌体<br>Standard ceramic inlay  |
|   |   |   |
| <b>B1/4PTL-SSCER型</b><br>加长型陶瓷嵌体<br>long type ceramic inlay | <b>48460/B1/4PT-SSRBY型</b><br>标准型红宝石嵌体<br>standard ruby inlay | <b>B1/4PTL-SSRBY型</b><br>加长型红宝石嵌体<br>Long type ruby inlay |

性能数据 Performance Data

| 喷嘴尺寸号<br>Nozzle dimension No. | 等效喷嘴孔径<br>Equivalent Spray orifice Dia.(mm) | 流量 (升 / 分) flow rate (L/min) |      |      |      |      |      |      |      |      |
|-------------------------------|---|------------------------------|------|------|------|------|------|------|------|------|
|                               |   | 3                            | 4    | 5    | 7    | 15   | 30   | 40   | 50   | 60   |
| 19124-14-316ss                | 0.36  | 0.12                         | 0.13 | 0.15 | 0.17 | 0.25 | 0.37 | 0.42 | 0.47 | 0.51 |
| 19124-28-316ss                | 0.71  | 0.42                         | 0.48 | 0.54 | 0.63 | 0.93 | 1.3  | 1.5  | 1.7  | 1.9  |
| 19124-33-316ss                | 0.84  | 0.62                         | 0.73 | 0.81 | 0.95 | 1.4  | 2.0  | 2.4  | 2.7  | 2.9  |
| 19124-40-316ss                | 1.02  | 0.89                         | 1.0  | 1.1  | 1.4  | 2.0  | 2.8  | 3.2  | 3.6  | 3.9  |
| 19124-55-316ss                | 1.40  | 1.6                          | 1.9  | 2.1  | 2.4  | 3.6  | 5.0  | 5.8  | 6.5  | 7.0  |
| 19124-70-316ss                | 1.78  | 2.7                          | 3.1  | 3.5  | 4.2  | 6.1  | 8.8  | 10   | 11   | 13   |
| 19124-94-316ss                | 2.39  | 4.5                          | 5.2  | 5.9  | 7.0  | 10   | 15   | 18   | 20   | 22   |
| 19124-125-316ss               | 3.18  | 7.3                          | 8.5  | 9.6  | 11   | 17   | 25   | 30   | 33   | 37   |

一般应用 Common Application

- 网布长网高压摆动清洗
- 压榨部毛毯高压摆动清洗
- 盲孔辊清洗
- 沟纹辊清洗
- fourdriner wire high pressure swing cleaning
- press section felt high pressure swing cleaning
- blind press cleaning
- grooved roll cleaning



#### 设计特点 Design Feature

#### PT型喷嘴性能参数(BSPT 1/4螺纹型) PT type nozzle proformance data (BSPT1/4 with thread)

| 标准型 standard                            | 加长型 King-Size                              | 喷嘴孔径 Spray orifice Dia(mm) | 流量 (升 / 公分) Flow rate (L/min) |      |      |       |       |       |       |       |       |       |       |       |  |
|---|--|----------------------------|-------------------------------|------|------|-------|-------|-------|-------|-------|-------|-------|-------|-------|--|
|   |  |                            | 3bar                          | 5bar | 7bar | 10bar | 15bar | 20bar | 30bar | 40bar | 50bar | 60bar | 70bar | 80bar |  |
| B1/4PT-SS<br>B1/4PT-SSCER<br>B1/4PT-RBT | B1/4PTL-SS<br>B1/4PTL-SSCER<br>B1/4PTL-RBY | 0.8                        | 0.54                          | 0.70 | 0.83 | 1.00  | 1.22  | 1.41  | 1.73  | 2.00  | 2.23  | 2.45  | 2.64  | 2.83  |  |
|   |  | 0.9                        | 0.69                          | 0.89 | 1.05 | 1.26  | 1.55  | 1.79  | 2.19  | 2.53  | 2.83  | 3.10  | 3.35  | 3.58  |  |
|   |  | 1.0                        | 0.85                          | 1.10 | 1.30 | 1.56  | 1.91  | 2.21  | 2.70  | 3.12  | 3.49  | 3.83  | 4.13  | 4.42  |  |
|   |  | 1.2                        | 1.23                          | 1.59 | 1.88 | 2.25  | 2.75  | 3.18  | 3.90  | 4.50  | 5.03  | 5.51  | 5.95  | 6.36  |  |
|   |  | 1.5                        | 1.92                          | 2.48 | 2.94 | 3.51  | 4.30  | 4.97  | 6.09  | 7.03  | 7.86  | 8.61  | 9.30  | 9.95  |  |
|   |  | 1.8                        | 2.77                          | 3.58 | 4.23 | 5.06  | 6.20  | 7.16  | 8.77  | 10.1  | 11.3  | 12.4  | 13.4  | 14.3  |  |
|   |  | 2.0                        | 3.42                          | 4.42 | 5.23 | 6.25  | 7.66  | 8.84  | 10.8  | 12.5  | 13.9  | 15.3  | 16.4  | 17.6  |  |

#### 48460 型红宝石嵌体 Model 48460 Ruby Inlay

| 喷嘴型号 Nozzle Style | 英寸 Inch        | 喷嘴型号 Nozzle Style | 英寸 Inch        |
|-------------------|----------------|-------------------|----------------|
| 48460-15-316RBY   | 0.015*[0.38mm] | 48460-35-316RBY   | 0.035*[0.89mm] |
| 48460-20-316RBY   | 0.020*[0.51mm] | 48460-40-316RBY   | 0.040*[1.02mm] |
| 48460-25-316RBY   | 0.025*[0.64mm] | 48460-45-316RBY   | 0.045*[1.14mm] |
| 48460-30-316RBY   | 0.030*[0.76mm] |                   |                |

#### 订购信息 Order information

##### I、不锈钢系列 Stainless Steel Series

1、M19124-40-316SS(M14 x 1 螺纹接口 Thread connector)

| 型号 Model | 孔径系列 Jet orifice dia. | 材质 Material |
|----------|-----------------------|-------------|
| M19124   | 40                    | 316SS       |

2、B19124-40-316SS(BSP1/4 螺纹接口 Thread connector)

| 型号 Model | 孔径系列 Jet orifice dia. | 材质 Material |
|----------|-----------------------|-------------|
| B19124   | 40                    | 316SS       |

3、19124-40-316SS(9/16-24UNF-2A 螺纹接口 Thread connector)

| 型号 Model | 孔径系列 Jet orifice dia. | 材质 Material |
|----------|-----------------------|-------------|
| 19124    | 40                    | 316SS       |

4、B1/4PT-SS1.0(BSPT1/4 螺纹接口 Thread connector)

| 标准型 Standard | 孔径系列 Jet orifice dia. |
|--------------|-----------------------|
| B1/4PT       | SS1.0                 |

5、B1/4PTL-SS1.0(BSPT1/4 螺纹接口 Thread connector)

| 型号 Model | 孔径系列 Jet orifice dia. |
|----------|-----------------------|
| B1/4PTL  | SS1.0                 |

##### II、陶瓷嵌体系列 Ceramic Inlay Series

6、B1/4PT-SSCER-1.0(BSPT1/4 螺纹接口 Thread connector)

| 标准型 Standard | 陶瓷嵌体不锈钢 Ceramic inlay stainless steel | 孔径系列 Jet orifice dia. |
|--------------|---------------------------------------|-----------------------|
| B1/4PT       | SSCER                                 | 1.0                   |

7、B1/4PTL-SSCER-1.0(BSPT1/4 螺纹接口 Thread connector)

| 加长型 King size | 陶瓷嵌体不锈钢 Ceramic inlay stainless steel | 孔径系列 Jet orifice dia. |
|---------------|---------------------------------------|-----------------------|
| B1/4PTL       | SSCER                                 | 1.0                   |

##### III、红宝石系列 Ruby Inlay Series

8、B1/4PT-SSRBY-1.0(BSPT1/4 螺纹接口 Thread connector)

| 标准型 Standard | 红宝石嵌体不锈钢主体 Ruby inlay stainless steel body | 孔径系列 Jet orifice dia. |
|--------------|--|-----------------------|
| B1/4PT       | SSRBY                                      | 1.0                   |

9、B1/4PTL-SSRBY-1.0(BSPT1/4 螺纹接口 Thread connector)

| 加长型 King size | 红宝石嵌体不锈钢主体 Ruby inlay stainless steel body | 孔径系列 Jet orifice dia. |
|---------------|--|-----------------------|
| B1/4PTL       | SSRBY                                      | 1.0                   |

10、48460-20-316RBY(9/16-24UNF-2A 螺纹接口 Thread connector)

| 型号 Model | 孔径系列 Jet orifice dia. | 316 不锈钢主体红宝石嵌体 316 stainless steel Body with ruby inlay |
|----------|-----------------------|---|
| 48460    | 20                    | 316RBY  |

**27149型**  
垫片喷嘴分离型  
Gasket separate with nozzle

**64160型**  
垫片喷嘴一体型  
Gasket and nozzle in one

**50709型**  
垫片喷嘴分离型  
Gasket separate with nozzle

**48546/39350型**  
垫片喷嘴分离型  
Gasket separate with nozzle

|  |   |   |   |
|--|---|---|---|
| 27149 型<br>普通不锈钢系列<br>Common stainless<br>steel series | 39350 型<br>不锈钢嵌体陶瓷系列<br>Stainless steel<br>ceramic inlay series | 48546 型<br>不锈钢嵌体红宝石系列<br>Stainless steel<br>ruby inlay series | 50709 型<br>不锈钢嵌体红宝石系列<br>Stainless steel<br>ruby inlay series |
|--|---|---|---|

#### 性能数据 Performance Data

##### 27149型喷嘴 Model 27149 Performance data

| 喷嘴尺寸号 Nozzle dimension No. | 喷嘴孔径 Spray orifice Dia (mm) | 流量 (升 / 分) Flow rate(L/min) |      |      |       |       | 喷射角度 Spray angle 4bar |
|----------------------------|-----------------------------|-----------------------------|------|------|-------|-------|-----------------------|
|                            |                             | 1.5bar                      | 3bar | 7bar | 20bar | 55bar |                       |
| 27149-00004                | 0.3                         | 0.11                        | 0.16 | 0.24 | 0.41  | 0.68  | 0°                    |
| 27149-00007                | 0.4                         | 0.20                        | 0.28 | 0.42 | 0.71  | 1.2   |                       |
| 27149-00009                | 0.5                         | 0.25                        | 0.36 | 0.54 | 0.92  | 1.5   |                       |
| 27149-0001                 | 0.6                         | 0.36                        | 0.51 | 0.78 | 1.3   | 2.2   |                       |
| 27149-0002                 | 1.0                         | 0.64                        | 0.91 | 1.4  | 2.3   | 3.9   |                       |
| 27149-0003                 | 1.2                         | 0.92                        | 1.3  | 2.0  | 3.4   | 5.6   |                       |
| 27149-0004                 | 1.5                         | 1.2                         | 1.7  | 2.6  | 4.4   | 7.3   |                       |
| 27149-0008                 | 1.9                         | 2.2                         | 3.1  | 4.8  | 8.1   | 13.4  |                       |
| 27149-0012                 | 2.4                         | 3.5                         | 4.9  | 7.5  | 12.6  | 21    |                       |
| 27149-0020                 | 3.2                         | 5.5                         | 7.8  | 11.9 | 20    | 33    |                       |

##### 39350型陶瓷嵌体喷嘴 Model 39350 Performance data

| 喷嘴尺寸号 Nozzle dimension No. | 喷嘴孔径 Spray orifice Dia (mm) | 流量 (升 / 分) Flow rate(L/min) |      |      |       |       | 喷射角度 Spray angle 4bar |
|----------------------------|-----------------------------|-----------------------------|------|------|-------|-------|-----------------------|
|                            |                             | 1.5bar                      | 3bar | 7bar | 20bar | 55bar |                       |
| 39350-00005                | 0.5                         | 0.14                        | 0.20 | 0.31 | 0.52  | 0.86  | 0°                    |
| 39350-00008                | 0.64                        | 0.22                        | 0.31 | 0.45 | 0.81  | 1.34  |                       |
| 39350-0001                 | 0.76                        | 0.32                        | 0.45 | 0.69 | 1.16  | 1.93  |                       |
| 39350-00015                | 0.9                         | 0.43                        | 0.61 | 0.94 | 1.58  | 2.62  |                       |
| 39350-0002                 | 1.0                         | 0.56                        | 0.80 | 1.22 | 2.06  | 3.42  |                       |
| 39350-00025                | 1.1                         | 0.72                        | 1.01 | 1.54 | 2.61  | 4.33  |                       |
| 39350-0003                 | 1.3                         | 0.88                        | 1.25 | 1.91 | 3.22  | 5.34  |                       |
| 39350-00045                | 1.5                         | 1.27                        | 1.80 | 2.75 | 4.64  | 7.7   |                       |

##### 48456红宝石嵌体型 Model 48456 Performance data

| 喷嘴型号 Nozzle Style  | 英寸 Inch        |
|--------------------|----------------|
| 48456-00003-316RBY | 0.015*[0.38mm] |
| 48456-00005-316RBY | 0.020*[0.51mm] |
| 48456-00008-316RBY | 0.025*[0.64mm] |
| 48456-00011-316RBY | 0.030*[0.76mm] |
| 48456-00015-316RBY | 0.035*[0.89mm] |
| 48456-00020-316RBY | 0.040*[1.02mm] |
| 48456-00025-316RBY | 0.045*[1.14mm] |

##### 50709/64160红宝石嵌体型 Model 50709/64160 Performance data

| 喷嘴型号 Nozzle Style  | 英寸 Inch        |
|--------------------|----------------|
| 50709-00003-316RBY | 0.015*[0.38mm] |
| 50709-00005-316RBY | 0.020*[0.51mm] |
| 50709-00008-316RBY | 0.025*[0.64mm] |
| 50709-00011-316RBY | 0.030*[0.76mm] |
| 50709-00015-316RBY | 0.035*[0.89mm] |
| 50709-00020-316RBY | 0.040*[1.02mm] |
| 50709-00025-316RBY | 0.045*[1.14mm] |

#### 订购信息 Order information

① 当订购普通不锈钢喷嘴时  
Order common stainless steel nozzle

② 当订购陶瓷嵌体喷嘴时  
Order ceramic inlay nozzle

③ 订购红宝石嵌体喷嘴时  
Order ruby inlay nozzle

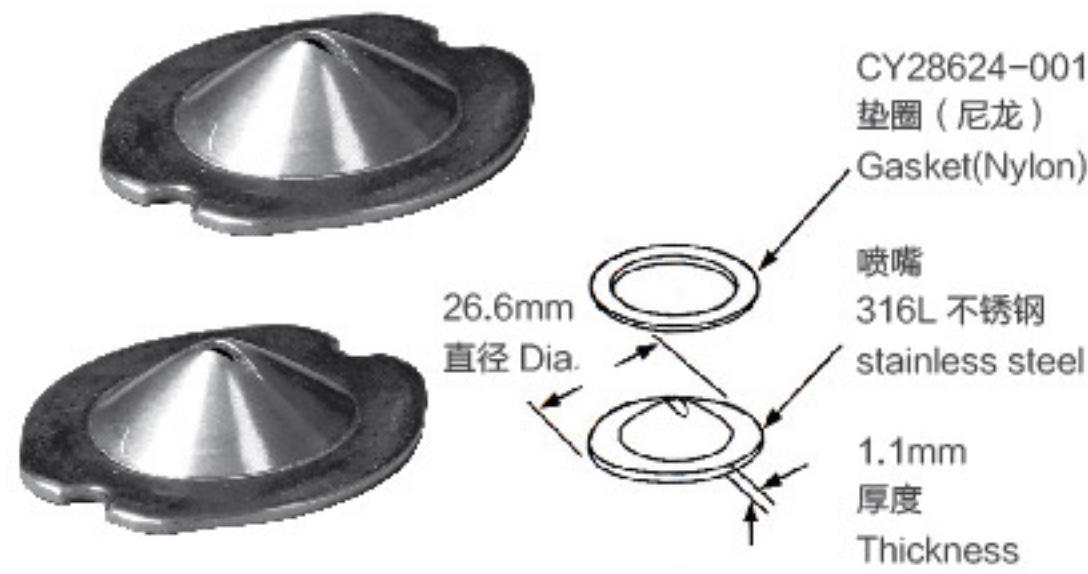
27149—0002—316L  
| | |  
型号 系列号 材质  
Model Series No. Material

39350—0002—316SS  
| | |  
型号 系列号 材质  
Model Series No. Material

48546—00020—316RBY     50709—00020—316RBY  
| | |     | | |  
型号 系列号 316SS+ 红宝石嵌体     型号 系列号 316SS+ 红宝石嵌体  
Model Series No. Ruby inlay     Model Series No. Ruby inlay

④ 当要求订购垫片尺寸与喷嘴一体时, 请特殊注明。  
Please note clearly when requiring gasket and nozzle in one-piece.

### 薄片高压扇形喷嘴 Flake High Pressure Fan Nozzle



CCTC 型喷嘴为带刷喷淋杆专门设计的低压扇形喷嘴, 喷角为 0°、30°、60°、75° 四种, 喷嘴在安装时需配套 CY28624-001 垫片。  
Model CCTC nozzle is low pressure fan spray nozzle designed for brush spray rod. Spray angle is 0°、30°、60°、75° four types. CY28624-001 gasket is needed when installing the nozzle.

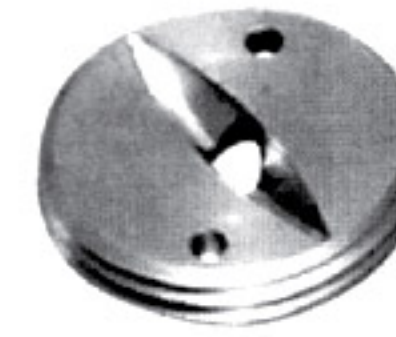
#### 订购信息 Order information

|             |   |                                |   |                |
|-------------|---|--------------------------------|---|----------------|
| CCTC        | — | CY6008                         | — | 316L           |
| 型号<br>Model |   | 角度和流量代码<br>Angle and flow code |   | 材质<br>Material |

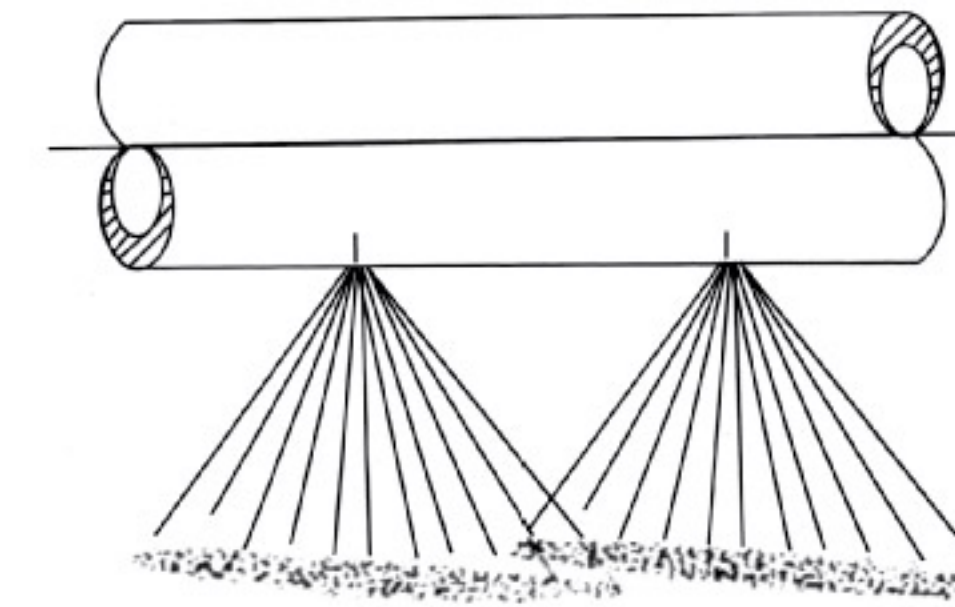
| 喷嘴尺寸号<br>Nozzle dimension No. | 喷孔孔径<br>Spray orifice Dia.(mm) | 流量 (升/分) flow rate (L/min) |       |       |        |        | 喷射角度<br>Spray angle<br>4 bar |
|-------------------------------|--------------------------------|----------------------------|-------|-------|--------|--------|------------------------------|
|                               |                                | 1.5 bar                    | 3 bar | 7 bar | 20 bar | 55 bar |                              |
| CCTC-0002                     | 1.0                            | 0.64                       | 0.91  | 1.4   | 2.3    | 3.9    | 0°                           |
| CCTC-0003                     | 1.2                            | 0.92                       | 1.3   | 2.0   | 3.4    | 5.6    |                              |
| CCTC-0004                     | 1.5                            | 1.2                        | 1.7   | 2.6   | 4.4    | 7.3    |                              |
| CCTC-0006                     | 1.8                            | 1.7                        | 2.4   | 3.7   | 6.2    | 10.3   |                              |
| CCTC-0008                     | 2.0                            | 2.2                        | 3.1   | 4.8   | 8.1    | 13.4   |                              |
| CCTC-0010                     | 2.2                            | 2.8                        | 4.0   | 6.2   | 10.4   | 17.2   |                              |
| CCTC-3012                     | 2.5                            | 3.5                        | 4.9   | 7.5   | 12.6   | 21     |                              |
| CCTC-3016                     | 2.8                            | 4.5                        | 6.3   | 9.7   | 16.4   | 27     |                              |
| CCTC-3020                     | 3.0                            | 5.5                        | 7.8   | 11.9  | 20     | 33     |                              |
| CCTC-3025                     | 3.5                            | 7.2                        | 10.1  | 15.5  | 26     | 43     |                              |
| CCTC-3031                     | 4.0                            | 8.8                        | 12.4  | 18.9  | 32     | 53     |                              |
| CCTC-3040                     | 4.5                            | 11.3                       | 15.9  | 24    | 41     | 68     |                              |
| CCTC-3049                     | 5.0                            | 13.7                       | 19.4  | 30    | 50     | 83     |                              |
| CCT-3078                      | 6.0                            | 22                         | 31    | 48    | 81     | 135    |                              |
| CCTC-3099                     | 7.0                            | 29                         | 39    | 60    | 101    | 167    |                              |
| CCTC-30124                    | 8.0                            | 35                         | 49    | 75    | 126    | 210    |                              |
| CCTC-6002                     | 1.0                            | 0.64                       | 0.91  | 1.4   | 2.3    | 3.9    | 30°                          |
| CCTC-6003                     | 1.2                            | 0.92                       | 1.3   | 2.0   | 3.4    | 5.6    |                              |
| CCTC-6004                     | 1.5                            | 1.2                        | 1.7   | 2.6   | 4.4    | 7.3    |                              |
| CCTC-6006                     | 1.8                            | 1.7                        | 2.4   | 3.7   | 6.2    | 10.3   |                              |
| CCTC-6008                     | 2.0                            | 2.2                        | 3.1   | 4.8   | 8.1    | 13.4   |                              |
| CCTC-6010                     | 2.2                            | 2.8                        | 4.0   | 6.2   | 10.4   | 17.2   |                              |
| CCTC-6012                     | 2.5                            | 3.5                        | 4.9   | 7.5   | 12.6   | 21     |                              |
| CCTC-6016                     | 2.8                            | 4.5                        | 6.3   | 9.7   | 16.4   | 27     |                              |
| CCTC-6020                     | 3.0                            | 5.5                        | 7.8   | 11.9  | 20     | 33     |                              |
| CCTC-6025                     | 3.5                            | 7.2                        | 10.1  | 15.5  | 26     | 43     |                              |
| CCTC-6031                     | 4.0                            | 8.8                        | 12.4  | 18.9  | 32     | 53     |                              |
| CCTC-3040                     | 4.5                            | 11.3                       | 15.9  | 24    | 41     | 68     |                              |
| CCTC-6049                     | 5.0                            | 13.7                       | 19.4  | 30    | 50     | 83     |                              |
| CCTC-6078                     | 6.0                            | 22                         | 31    | 47    | 80     | 133    |                              |
| CCTC-6099                     | 7.0                            | 28                         | 39    | 60    | 101    | 167    |                              |
| CCTC-60124                    | 8.0                            | 35                         | 49    | 75    | 126    | 210    |                              |
| CCTC-7502                     | 1.0                            | 0.64                       | 0.91  | 1.4   | 2.3    | 3.9    | 60°                          |
| CCTC-7503                     | 1.2                            | 0.92                       | 1.3   | 2.0   | 3.4    | 5.6    |                              |
| CCTC-7504                     | 1.5                            | 1.2                        | 1.7   | 2.6   | 4.4    | 7.3    |                              |
| CCTC-7506                     | 1.8                            | 1.7                        | 2.4   | 3.7   | 6.2    | 10.3   |                              |
| CCTC-7508                     | 2.0                            | 2.2                        | 3.1   | 4.8   | 8.1    | 13.4   |                              |
| CCTC-7510                     | 2.2                            | 2.8                        | 4.0   | 6.2   | 10.4   | 17.2   |                              |
| CCTC-7512                     | 2.5                            | 3.5                        | 4.9   | 7.5   | 12.6   | 21     |                              |
| CCTC-7516                     | 2.8                            | 4.5                        | 6.3   | 9.7   | 16.4   | 27     |                              |
| CCTC-7520                     | 3.0                            | 5.5                        | 7.8   | 11.9  | 20     | 33     |                              |
| CCTC-7525                     | 3.5                            | 7.2                        | 10.1  | 15.5  | 26     | 43     |                              |
| CCTC-7531                     | 4.0                            | 8.8                        | 12.4  | 18.9  | 32     | 53     |                              |
| CCTC-7541                     | 4.5                            | 11.3                       | 15.9  | 24    | 41     | 68     |                              |
| CCTC-7549                     | 5.0                            | 13.7                       | 19.4  | 30    | 50     | 83     |                              |
| CCTC-7578                     | 6.0                            | 22                         | 31    | 48    | 81     | 133    |                              |
| CCTC-7599                     | 7.0                            | 28                         | 39    | 60    | 101    | 167    |                              |
| CCTC-75124                    | 8.0                            | 35                         | 49    | 75    | 126    | 210    |                              |
|                               |                                |                            |       |       |        |        | 75°                          |
|                               |                                |                            |       |       |        |        |                              |
|                               |                                |                            |       |       |        |        |                              |
|                               |                                |                            |       |       |        |        |                              |
|                               |                                |                            |       |       |        |        |                              |
|                               |                                |                            |       |       |        |        |                              |
|                               |                                |                            |       |       |        |        |                              |
|                               |                                |                            |       |       |        |        |                              |
|                               |                                |                            |       |       |        |        |                              |
|                               |                                |                            |       |       |        |        |                              |
|                               |                                |                            |       |       |        |        |                              |

### 薄片低压扇形喷嘴 Flake Low Pressure Fan Nozzle

#### 设计特点 Design Feature



CTC扇形喷嘴 CTC Fan nozzle



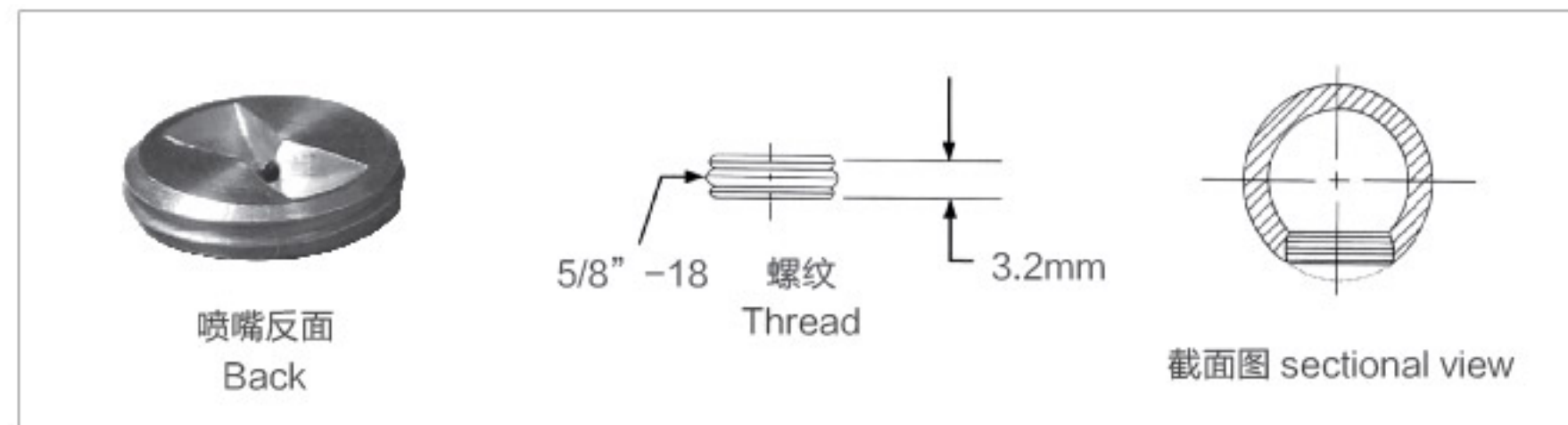
当喷淋杆与网面或毛行毡喷射高度很小时, 该产品为最佳选择, 喷嘴以 303 或 316 不锈钢制造, 耐磨与抗腐蚀性性能优良。  
When Spray rod and mesh panels or felt spray height is small, this product is the best choice. The nozzle is made of 303 or 316 stainless steel, with wear-resisting and perfect corrosion resistance.

#### 性能数据 Performance Data

| 喷嘴尺寸号<br>Nozzle dimension No. | 等效孔径<br>Equivalent Spray orifice Dia.(mm) | 材料<br>Material |       | 流量 (升/分) flow rate (L/min) |       |       |       |       |       |       |        |  |  | 3公斤压力下喷射角度<br>Spray angle at 3 bar |     |
|-------------------------------|---|----------------|-------|----------------------------|-------|-------|-------|-------|-------|-------|--------|--|--|------------------------------------|-----|
|                               |   | +SS            | 316SS | 1 bar                      | 2 bar | 3 bar | 4 bar | 5 bar | 6 bar | 7 bar | 10 bar |  |  |                                    |     |
| CTC-2510                      |   | ●              |       | 2.3                        | 3.2   | 3.9   | 4.6   | 5.1   | 5.6   | 6.0   | 7.2    |  |  | 25°                                |     |
| CTC-3580                      | 6.4                                       | ●              |       | 18.2                       | 26    | 32    | 36    | 41    | 45    | 48    | 58     |  |  | 35°                                |     |
| CTC-4040                      |   | ●              |       | 9.1                        | 12.9  | 15.8  | 18.2  | 20    | 22    | 24    | 29     |  |  | 40°                                |     |
| CTC-4047                      | 4.7                                       | ●              |       | 10.7                       | 15.1  | 18.6  | 21    | 24    | 26    | 28    | 34     |  |  |                                    |     |
| CTC-4067                      |   | ●              |       | 15.3                       | 22    | 26    | 31    | 34    | 37    | 40    | 48     |  |  |                                    |     |
| CTC-4070                      | 5.5                                       | ●              |       | 16.0                       | 23    | 28    | 32    | 36    | 39    | 42    | 50     |  |  | 43°                                |     |
| CTC-4085                      | 6.4                                       | ●              | ●     | 19.4                       | 27    | 34    | 39    | 43    | 47    | 51    | 61     |  |  |                                    |     |
| CTC-4308                      | 1.9                                       | ●              |       | 1.8                        | 2.6   | 3.2   | 3.6   | 4.1   | 4.5   | 4.8   | 5.8    |  |  | 50°                                |     |
| CTC-4313                      | 2.4                                       | ●              | ●     | 3.0                        | 4.2   | 5.1   | 5.9   | 6.6   | 7.3   | 7.8   | 9.4    |  |  |                                    |     |
| CTC-50033                     | 1.2                                       | ●              |       | 0.75                       | 1.1   | 1.3   | 1.5   | 1.7   | 1.8   | 2.0   | 2.4    |  |  |                                    |     |
| CTC-5024                      | 3.2                                       | ●              |       | 5.5                        | 7.7   | 9.5   | 10.9  | 12.2  | 13.4  | 14.5  | 17.3   |  |  | 55°                                |     |
| CTC-5033                      | 4.0                                       |                |       | 7.5                        | 10.6  | 13.0  | 15.0  | 16.8  | 18.4  | 19.9  | 24     |  |  |                                    |     |
| CTC-5037                      |   | ●              |       | 8.4                        | 11.9  | 14.6  | 16.9  | 18.9  | 21    | 22    | 27     |  |  |                                    |     |
| CTC-55054                     | 1.6                                       | ●              |       | 1.2                        | 1.7   | 2.1   | 2.5   | 2.8   | 3.0   | 3.3   | 3.9    |  |  |                                    |     |
| CTC-5508                      | 1.9                                       | ●              |       | 1.8                        | 2.6   | 3.2   | 3.6   | 4.1   | 4.5   | 4.8   | 5.8    |  |  |                                    | 58° |
| CTC-5824                      | 3.2                                       | ●              | ●     | 5.5                        | 7.7   | 9.5   | 10.9  | 12.2  | 13.4  | 14.5  | 17.3   |  |  |                                    |     |
| CTC-5833                      | 4.0                                       |                | ●     | 7.5                        | 10.6  | 13.0  | 15.0  | 16.8  | 18.4  | 19.9  | 24     |  |  |                                    | 60° |
| CTC-60054                     | 1.6                                       |                | ●     | 1.2                        | 1.7   | 2.1   | 2.5   | 2.8   | 3.0   | 3.3   | 3.9    |  |  |                                    |     |
| CTC-65054                     | 1.6                                       | ●              |       | 1.2                        | 1.7   | 2.1   | 2.5   | 2.8   | 3.0   | 3.3   | 3.9    |  |  |                                    |     |
| CTC-6513                      | 2.4                                       | ●              | ●     | 3.0                        | 4.2   | 5.1   | 5.9   | 6.6   | 7.3   | 7.8   | 9.4    |  |  |                                    | 65° |
| CTC-6519                      | 2.8                                       | ●              | ●     | 4.3                        | 6.1   | 7.5   | 8.7   | 9.7   | 10.6  | 11.5  | 13.7   |  |  |                                    |     |
| CTC-6533                      | 4.0                                       | ●              |       | 7.5                        | 10.6  | 13.0  | 15.0  | 16.8  | 18.4  | 19.9  | 24     |  |  |                                    |     |
| CTC-6550                      | 4.7                                       | ●              |       | 11.4                       | 16.1  | 19.7  | 23    | 25    | 28    | 30    | 36     |  |  |                                    |     |
| CTC-6570                      | 5.5                                       | ●              |       | 16.0                       | 23    | 28    | 32    | 38    | 39    | 42    | 50     |  |  | 68°                                |     |
| CTC-6824                      | 3.2                                       | ●              |       | 5.5                        | 7.7   | 9.5   | 10.9  | 12.2  | 13.4  | 14.5  | 17.3   |  |  |                                    |     |
| CTC-6840                      |   |                | ●     | 9.1                        | 12.9  | 15.8  | 18.2  | 20    | 22    | 24    | 29     |  |  |                                    |     |
| CTC-6864                      |   |                | ●     | 14.6                       | 21    | 25    | 29    | 33    | 36    | 39    | 46     |  |  | 70°                                |     |
| CTC-6870                      | 5.5                                       |                | ●     | 16.0                       | 23    | 28    | 32    | 36    | 39    | 42    | 50     |  |  |                                    |     |
| CTC-70023                     | 1.0                                       | ●              |       | 0.52                       | 0.74  | 0.91  | 1.0   | 1.2   | 1.3   | 1.4   | 1.7    |  |  | 80°                                |     |
| CTC-80032                     | 1.2                                       | ●              |       | 0.73                       | 1.0   | 1.3   | 1.5   | 1.6   | 1.8   | 1.9   | 2.3    |  |  |                                    |     |
| CTC-80054                     | 1.6                                       | ●              |       | 1.2                        | 1.7   | 2.1   | 2.5   | 2.8   | 3.0   | 3.3   | 3.9    |  |  |                                    |     |
| CTC-8008                      | 1.9                                       | ●              |       | 1.8                        | 2.6   | 3.2   | 3.6   | 4.1   | 4.5   | 4.8   | 5.8    |  |  |                                    |     |
| CTC-80084                     | 1.9                                       | ●              |       | 1.9                        | 2.7   | 3.3   | 3.8   | 4.3   | 4.7   | 5.1   | 6.1    |  |  |                                    |     |
| CTC-8013                      | 2.4                                       |                | ●     | 3.0                        | 4.2   | 5.1   | 5.9   | 6.6   | 7.3   | 7.8   | 9.4    |  |  |                                    |     |
|                               |   | ●              |       |                            |       |       |       |       |       |       |        |  |  |                                    |     |
| CTC-8024                      | 3.2                                       | ●              |       | 5.5                        | 7.7   | 9.5   | 10.9  | 12.2  | 13.4  | 14.5  | 17.3   |  |  |                                    |     |
| CTC-8033                      | 4.0                                       | ●              |       | 7.5                        | 10.6  | 13.0  | 15.0  | 16.8  | 18.4  | 19.9  | 24     |  |  |                                    |     |
| CTC-8040                      |   |                |       | 9.1                        | 12.9  | 15.8  | 18.2  | 20    | 22    | 24    | 29     |  |  |                                    |     |
| CTC-90016                     | 0.79                                      | ●              |       | 0.36                       | 0.52  | 0.63  | 0.73  | 0.82  | 0.89  | 0.96  | 1.2    |  |  |                                    | 90° |
| CTC-90054                     | 1.6                                       | ●              |       | 1.2                        | 1.7   | 2.1   | 2.5   | 2.8   | 3.0   | 3.3   | 3.9    |  |  |                                    |     |
| CTC-9013                      | 2.4                                       | ●              |       | 3.0                        | 4.2   | 5.1   | 5.9   | 6.6   | 7.3   | 7.8   | 9.4    |  |  |                                    |     |

| 喷嘴尺寸号<br>Nozzle dimension No. | 等效孔径<br>Equivalent orifice<br>Dia(mm) | 流量 (升/分) flow rate (L/min) |       |       |       |       |       |        |        | 3 公斤压力下喷射角度<br>Spray angle at 3 bar |
|-------------------------------|---------------------------------------|----------------------------|-------|-------|-------|-------|-------|--------|--------|-------------------------------------|
|                               |                                       | 10 bar                     | 20bar | 30bar | 40bar | 60bar | 80bar | 100bar | 150bar |                                     |
| CTY-35084                     | 0.076                                 | 0.42                       | 0.59  | 0.73  | 0.84  | 1.0   | 1.2   | 1.3    | 1.6    | 35°                                 |
| CTY-3524                      | 0.125                                 | 1.2                        | 1.7   | 2.0   | 2.45  | 2.9   | 3.3   | 3.7    | 4.6    | 35°                                 |
| CTY-3572                      | 0.218                                 | 3.5                        | 5.0   | 6.2   | 7.2   | 8.8   | 10.1  | 11.3   | 14.0   | 35°                                 |
| CTY-4513                      | 0.093                                 | 0.66                       | 0.93  | 1.1   | 1.3   | 1.6   | 1.8   | 2.0    | 2.5    | 43°                                 |
| CTY-3513                      | 0.093                                 | 0.65                       | 0.93  | 1.1   | 1.3   | 1.6   | 1.8   | 2.0    | 2.5    | 50°                                 |
| CTY-3524                      | 0.125                                 | 1.2                        | 1.7   | 2.0   | 2.4   | 2.9   | 3.3   | 3.7    | 4.6    | 50°                                 |
| CTY-55054                     | 0.062                                 | 0.27                       | 0.39  | 0.47  | 0.54  | 0.66  | 0.76  | 0.84   | 1.0    | 55°                                 |
| CTY-6513                      | 0.093                                 | 0.66                       | 0.93  | 1.1   | 1.3   | 1.6   | 1.8   | 2.0    | 2.5    | 65°                                 |
| CTY-6824                      | 0.125                                 | 1.2                        | 1.7   | 2.0   | 2.4   | 2.9   | 3.3   | 3.7    | 4.6    | 68°                                 |
| CTY-70054                     | 0.062                                 | 0.27                       | 0.38  | 0.47  | 0.54  | 0.66  | 0.76  | 0.84   | 1.0    | 70°                                 |
| CTY-8013                      | 0.093                                 | 0.65                       | 0.93  | 1.1   | 1.3   | 1.6   | 1.8   | 2.0    | 2.5    | 80°                                 |
| CTY-8024                      | 0.125                                 | 1.2                        | 1.7   | 2.0   | 2.4   | 2.9   | 3.3   | 3.7    | 4.6    | 80°                                 |
| CTY-8054                      | 0.187                                 | 2.7                        | 3.8   | 4.7   | 5.4   | 6.6   | 7.6   | 8.5    | 10.5   | 80°                                 |
| CTY-90054                     | 0.062                                 | 0.27                       | 0.39  | 0.47  | 0.54  | 0.66  | 0.76  | 0.84   | 1.0    | 90°                                 |
| CTY-9013                      | 0.093                                 | 0.66                       | 0.93  | 1.1   | 1.3   | 1.6   | 1.8   | 2.0    | 2.5    | 90°                                 |

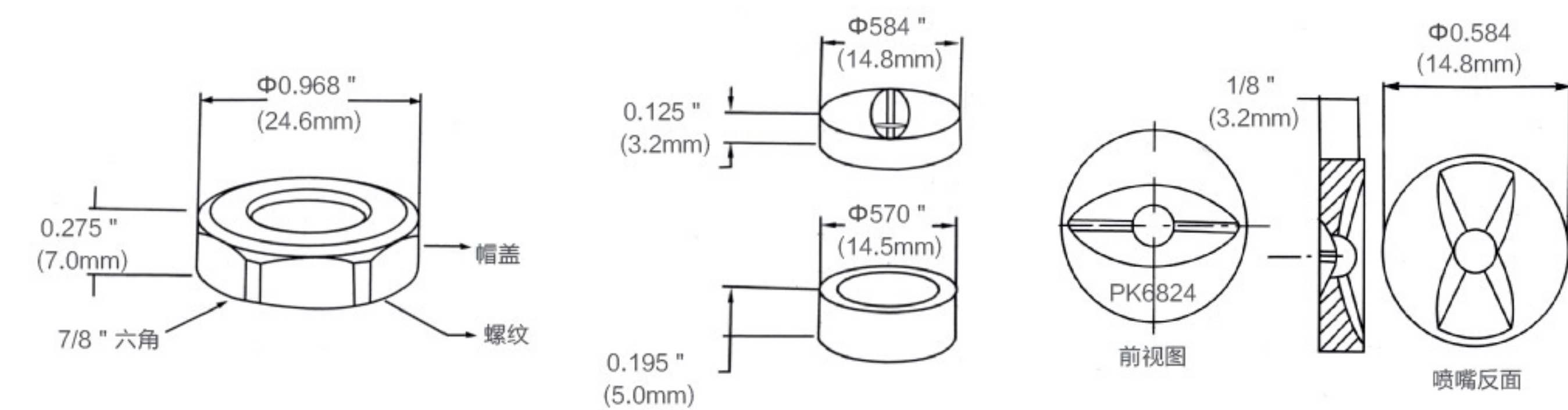
外形尺寸及安装方式图 Dimension and installation figure



一般应用 Common Application

- 低压扇形清洗
- 刮刀式吸水 and 润滑
- Washing under low pressure
- Scraper type water sucking and lubrication

外形尺寸与安装示意图 Dimension and installation drawing



订购信息 Order information

|                 |                      |                   |                |    |                 |                      |                   |                |    |
|-----------------|----------------------|-------------------|----------------|----|-----------------|----------------------|-------------------|----------------|----|
| 材质<br>Material: | 303SS                | CTC               | —6513—         | SS | 材质<br>Material: | 303SS                | CTY               | —6513—         | SS |
|                 | 316SS                |                   |                |    |                 | 316SS                |                   |                |    |
|                 | 喷嘴型号<br>Nozzle Model | 序列号<br>Series No. | 材料<br>Material |    |                 | 喷嘴型号<br>Nozzle Model | 序列号<br>Series No. | 材料<br>Material |    |

|   |  |  |  |
|---|--|--|--|
| <p><b>7521</b><br/>压力 Pressure: 17bar<br/>流量 Flow rate: 11L/min<br/>出口接头 Outlet connector:<br/>1/8" or 1/4" NPT or<br/>BSPT(female)</p> | <p><b>8370</b><br/>压力 Pressure: 9bar<br/>流量 Flow rate: 45L/min<br/>出口接头 Outlet connector:<br/>1/4" or 3/8" NPT or<br/>BSPT(female)</p> | <p><b>15475</b><br/>压力 Pressure: 9bar<br/>流量 Flow rate: 136L/min<br/>出口接头 Outlet connector:<br/>1/2", 3/4", 1" NPT or<br/>BSPT(female)</p> | <p><b>12521</b><br/>压力 Pressure: 70bar<br/>流量 Flow rate: 19L/min<br/>出口接头 Outlet connector:<br/>1/8", 1/4" NPT or<br/>BSPT(female)</p> |
|---|--|--|--|

设计特点 Design Feature

拼合孔连接器为管道系统中安装喷嘴和其他配件提供了快速而经济的方法。只要锁一个规定直径的孔, 沿着管道滑动拼合孔连接器, 并旋紧紧固螺栓, 在适当位置锁住。这种独特的设计由于消除了切割, 车螺纹和钎焊, 降低了成本。它也可用来在螺纹剥落的歧管中安装喷嘴。连接器主体有棒材加工而成, 出口接头尺寸可以选择。如果在连接器就位以后必须卸装喷嘴的话, 则这种设计防止了连接器在法兰盘内旋转。这种连接器的入口可高高伸入管道内, 不使阻塞减至最小程度。丁腈橡胶垫圈能耐受大多数物质腐蚀, 提供了防泄漏密封。

Split hole connector provide quick and economic way for installing nozzle or other components in pipe system, To lock only one hole with specified dia, and slide the connector, tighten bolt and lock at appropriate position. This unique design deserts cutting, lathing thread and brazing in order to save cost. It also can be used to install nozzle on ththread spalling of branch pipe. The body of connector is made of bar material. The inlet connector have several dimensions for choices. To dismantle the connector after it is in position, this design can prevent it from rotating in flange plate. The inlet of this connector can stretch to the inside of pipe to prevent sediments from blocking. Nitrile rubber gasket is corrosion resistance, which is perfect leakage protection seal.

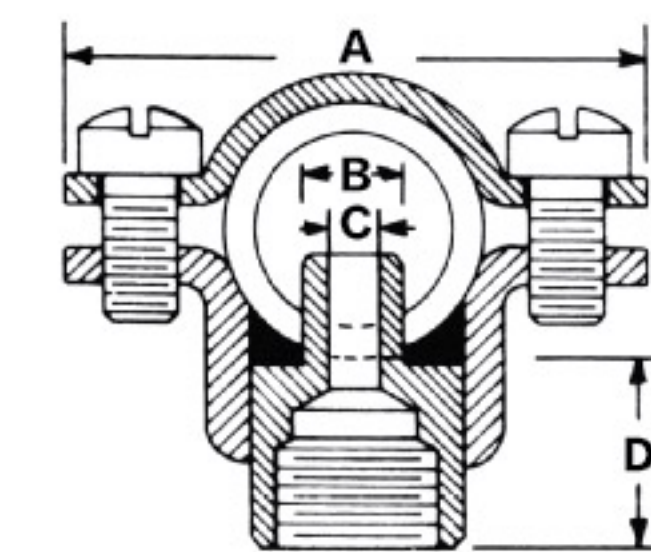
性能数据 Performance Data

| 拼合孔连接<br>器号<br>Split hole<br>connector No. | 夹管 Pipe                       |                                | 出口接头<br>Outlet connector<br>NPT 或 BSPT | 常用材料<br>Common<br>material |    |    | 最大压力<br>Max<br>Pressure<br>Bar | 最大流量<br>Max Flow<br>L/min |
|--|-------------------------------|--------------------------------|--|----------------------------|----|----|--------------------------------|---------------------------|
|  | 管道尺寸<br>Pipe size<br>英寸 /Inch | 管道外径<br>Pipe outer<br>Dia (mm) |  | A*                         | B* | C* |                                |                           |
| 7521                                       | 1/2                           | 20-22                          | 1/8 1/4                                | ●                          | ●  | ●  | 17                             | 11                        |
|  | 3/4                           | 25-27                          | 1/8 1/4                                | ●                          | ●  | ●  |                                |                           |
|  | 1                             | 32-35                          | 1/8 1/4                                | ●                          | ●  | ●  |                                |                           |
| 12521                                      | 1/2                           | 20-22                          | 1/8 1/4                                | ●                          | ●  | ●  | 70                             | 19                        |
|  | 3/4                           | 25-27                          | 1/8 1/4                                | ●                          | ●  | ●  |                                |                           |
|  | 1                             | 32-35                          | 1/8 1/4                                | ●                          | ●  | ●  |                                |                           |
| 8370                                       | 1-1/4                         | 39-43                          | 1/4 3/8 1/2                            | ●                          | ●  | ●  | 9                              | 45                        |
|  | 1-1/2                         | 44-53                          | 1/4 3/8 1/2                            | ●                          | ●  | ●  |                                |                           |
|  | 2                             | 54-60                          | 1/4 3/8 1/2                            | ●                          | ●  | ●  |                                |                           |
| 15475                                      | 2-1/2                         | 63-73                          | 1/2 3/4 1                              | ●                          | ●  | ●  | 9                              | 136                       |
|  | 3                             | 76-89                          | 1/2 3/4 1                              | ●                          | ●  | ●  |                                |                           |
|  | 4                             | 102-114                        | 1/2 3/4 1                              | ●                          | ●  | ●  |                                |                           |

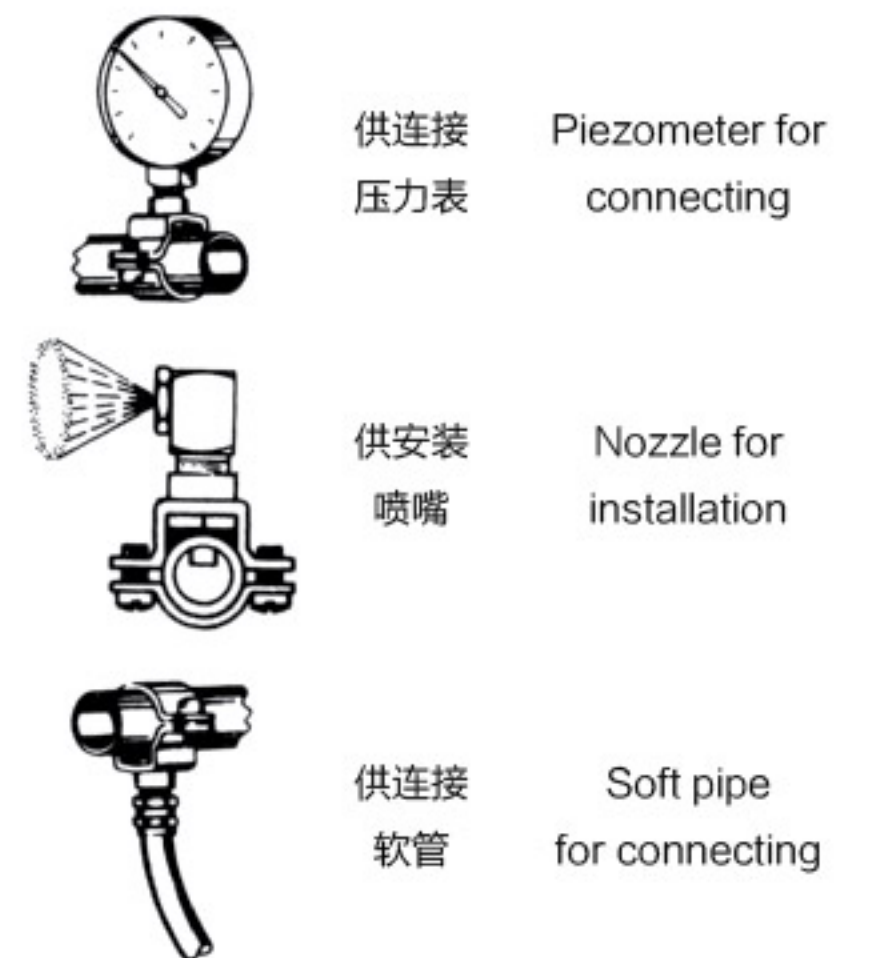
\*A- 用于黄铜连接器的镀锌钢夹子和螺栓。Galvanized steel and bolt used for brass connector  
\*B- 全部是不锈钢。All are stainless steel.  
\*C- 用于不锈钢连接器的镀锌钢夹子和螺栓。Galvanized steel and bolt used for stainless steel connector.

订购信息 Order information

|   |      |                  |               |                           |   |
|---|------|------------------|---------------|---------------------------|---|
| 拼合孔连接器型号<br>Split hole<br>Connector<br>type | 8370 | 材料代码<br>Material | A—1-1/4 x 1/4 | 夹子<br>尺寸<br>Clamp<br>size | 出口接头尺寸<br>NPT 或 BSPT<br>Outlet<br>connector<br>size |
|---|------|------------------|---------------|---------------------------|---|



一般应用 Common Application





Y型螺纹连接式  
Y type threaded connection

Y型法兰连接式  
Y type flange connection

一般应用 Common Application

适用于蒸汽、空气、水、油品等系统管道中,保护各种计量仪器、泵机、阀门、各种喷嘴等设备。当需要清洗时,只要将可拆卸的滤筒取出,去除滤出的杂质后,重新装入即可,使用维护极为方便。

The products are used for steam,air water and oil etc.System of pipes to protect measuring instrument, Pumps,valves and nozzles etc.To clean them,it is only necessary to take out the detachable filter cylinder,remove the impurities and reinstall it.So the usage and maintenance are very easy.

设计特点 Design Feature

Y型内部过滤网采用不锈钢双层网结构,坚固耐用,具有结构先进、流通面积大、流阻小、排污方便等特点,可用于水、蒸汽、油品、硝酸等有腐蚀性的液体介质。要根据用户需要设置过滤网的目数,一般通水网为18-30目,通气网为40-100目,通油网为100-480目,是输送流体的管道系列不可缺少的一种装置,通常安装于水力控制阀、减压阀、泄压阀、定水位阀等设备的进口端,用来消除介质中的杂质,防止颗粒性质进入通道,造成堵塞,以保护设备管道上的配件免受磨损和堵塞。

Y type inner filter screen adopt two layers of stainless steel screen,which is strong and durable,and has more advantages:advanced Structuring,large flow area,small flow resistance,easy pollution discharge etc.It is can be used in corrosive liquid medium like water,steam,oils and nitric acid etc. The mesh is set according to user's demands.Usually the mesh for water is 18-30 mesh,for gas is 40-100 mesh,for oil is 100-480 mesh.It is essential settings to convey fluid for pipe system.It is normally used as inlet of hydraulic control valve,reducing valve,level control valve etc to reduce the impurities,so as to prevent granul going into pipe and causing blocking.

性能数据 Performance Data

|  |                                     |                                    |                         |
|--|-------------------------------------|------------------------------------|-------------------------|
| 壳体材质<br>Body material                          | 黄铜 / 不锈钢<br>Brass/stainless steel   | 连接形式<br>Connection type            | 螺纹, 法兰<br>Thread,flange |
| 滤框滤网材质<br>Material for filter frame and screen | 不锈钢<br>Stainless steel              | 公称压力<br>Nominal pressure(Mpa)      | 0.6-5.0                 |
| 密封件材质<br>Sealing material                      | 柔性石墨, 聚四氟乙烯<br>Soft graphite,Teflon | 过滤精度<br>Filter fineness(目/mesh/in) | 10-300                  |
| 环境温度<br>Environment temperature                | -30-400℃                            |                                    |                         |

订购信息 Order information



聚酯纤维滤芯 Polyester fiber filter element:

|                            |   |
|----------------------------|---|
| 制造材料: 100% 聚酯纤维, 厚度 0.75mm | Raw material: 100% polyester fiber,thickness 0.75mm |
| 耐热耐高温: 80℃                 | Heat resistance: 80℃                                |
| 空气渗透率: 220m³/m²/hr         | Air permeation rate: 220m³/m²/hr                    |
| 过滤密度: 5μ-10 μ              | Filter density: 5μ-10 μ                             |
| 重量: 240g/m²                | Weight: 240g/m²                                     |
| 初阻力: ≤298Pa                | Initial resistance: ≤298Pa                          |

覆膜粉尘滤芯【粉尘滤筒】 Coated dust filter cartridge:

- -JHY/F series 系列覆膜聚酯滤筒, 采用进口 PTFE 覆膜聚酯滤料。
- 表面过滤, 极光滑, 不易黏附, 更易于脉冲反清灰。
- 进口膜精度高, 过滤效果好, 根据工况最细可达 0.03 微米。
- 端盖骨架均作防护处理, PTFE 微孔膜聚优秀的化学耐腐蚀性。
- -JHY/F series coated polyester filter cartridge,using import PTFE coated polyester filter material.
- Surface filtration,smooth,not easy to stick,and easy for pulse ash removal.
- Import coating is with high precision,good filtering effect,The finest data can reach 0.03μ.
- Protection processing to cap and center frame,PTFE microporous film gather exellent chemical resistance.

规格参数 Specification

| 型号<br>Model | A   | B    | C   | D    | E  | S    |
|-------------|-----|------|-----|------|----|------|
| 1920#       | 150 | 900  | 84  | 850  | -  | 2.65 |
| 1921#       | 150 | 1050 | 84  | 1010 | -  | 2.65 |
| 1922#       | 280 | 600  | 170 | 615  | 16 | 6.5  |
| 1923#       | 325 | 600  | 215 | 615  | 16 | 6.5  |
| 1924#       | 325 | 660  | 215 | 675  | 16 | 7.0  |
| 1925#       | 325 | 900  | 215 | 915  | 16 | 9.0  |